



## A head-turning architectural fire feature.

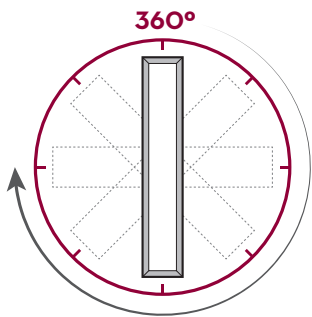
Our exciting new Town & Country HeliFire 360 adds a dramatic, eye-catching fire feature to any space.

Its long, luxurious flame casts a seductive glow and makes a bold design statement wherever it's installed. The HeliFire 360 will be the dominant focal point from which to build your dream environment around.

### PRODUCT FEATURES

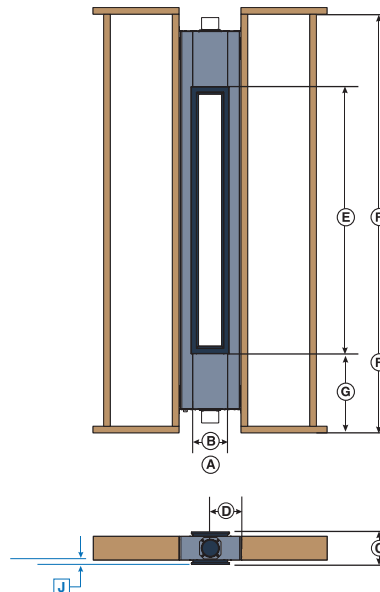
- Natural Gas or Propane
- 22,000 Btu/Hr Input
- All 304 Stainless Steel Construction
- Single Sided and See-Thru
- Indoor, Outdoor, Indoor-Outdoor
- Cool Glass Technology
- Thermo pane glass for outdoor use

Please note: Flame length may vary up to 30% depending on vent length, fuel type, and orientation.



### THE POSSIBILITIES ARE ENDLESS

With its ingenious design and unique construction, HeliFire 360 offers endless installation options for every possible application - from vertical to horizontal and everything in between, one-sided to see-thru, indoor or outdoor. The only limit is your imagination.



HeliFire	inch	cm	
APPLIANCE DIMENSIONS	A	14 1/2	36.83
	B	8 13/16	22.38
	C	7 9/16	19.20
	D	3 3/4	9.52
	E	62 3/16	157.95
	F	99	251.46
	G	18 3/8	46.67
MINIMUM COMBUSTIBLE FRAMING DIMENSIONS (INCLUDING SHEETROCK)	H		
	I		
	J	3/8	0.95
	K		
	L		
	M		
	N		
	O		
P			