

U1500E Gas Fireplace

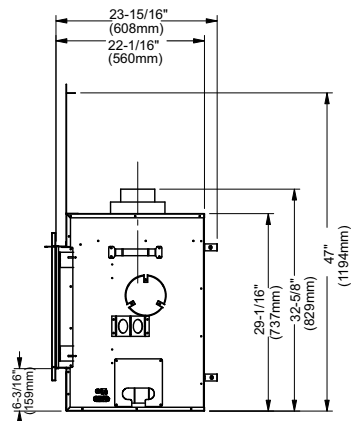
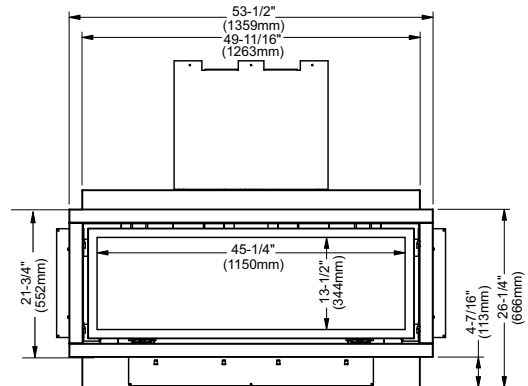
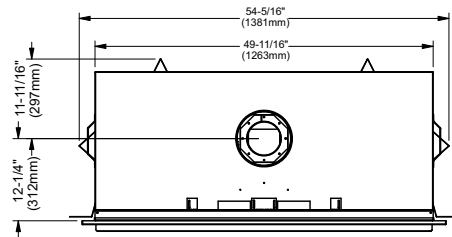
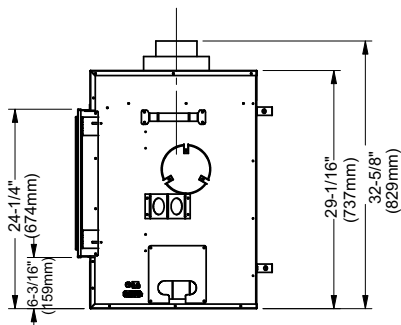
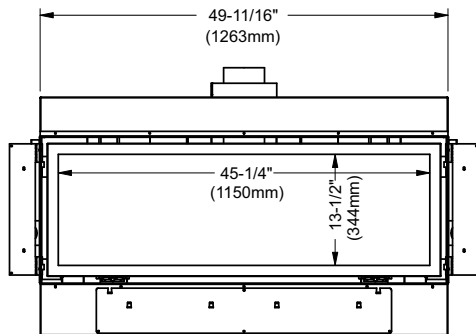
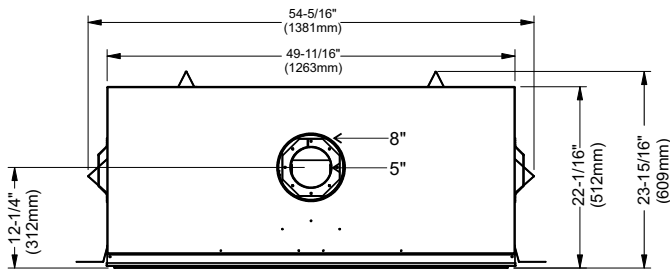
Model	U1500E-NG	U1500E-LP
Fuel Type	Natural Gas	Propane
Minimum Supply Pressure	5" W.C. (1.25 kPa)	11" W.C. (2.73 kPa)
Manifold Pressure - High	3.5" W.C. (0.87 kPa)	10" W.C. (2.48 kPa)
Manifold Pressure - Low	1.6" W.C. (0.41 kPa)	6.4" W.C. (1.59 kPa)
Orifice Size -Altitude 0-4500 ft.	#30 DMS	#48 DMS
Minimum Input Altitude 0-4500 ft. (0-1372m)	29,000 BTU/h (8.49 kW)	33,500 BTU/h (9.82 kW)
Maximum Input Altitude 0-4500 ft. (0-1372m)	43,000 BTU/h (12.6 kW)	42,000 BTU/h (12.3 kW)
Vent Sizing	5" Inner / 8" Outer	5" Inner / 8" Outer



Approved Venting Systems	
Flex Vent Systems:	FPI AstroCap™ Flex Vent
Rigid Pipe Vent Systems:	Simpson Direct Vent Pro® Selkirk Direct-Temp™ American Metal Products® Metal-Fab® Sure Seal Security Secure-vent® ICC Excel

UNIT DIMENSIONS WITH FACEPLATE

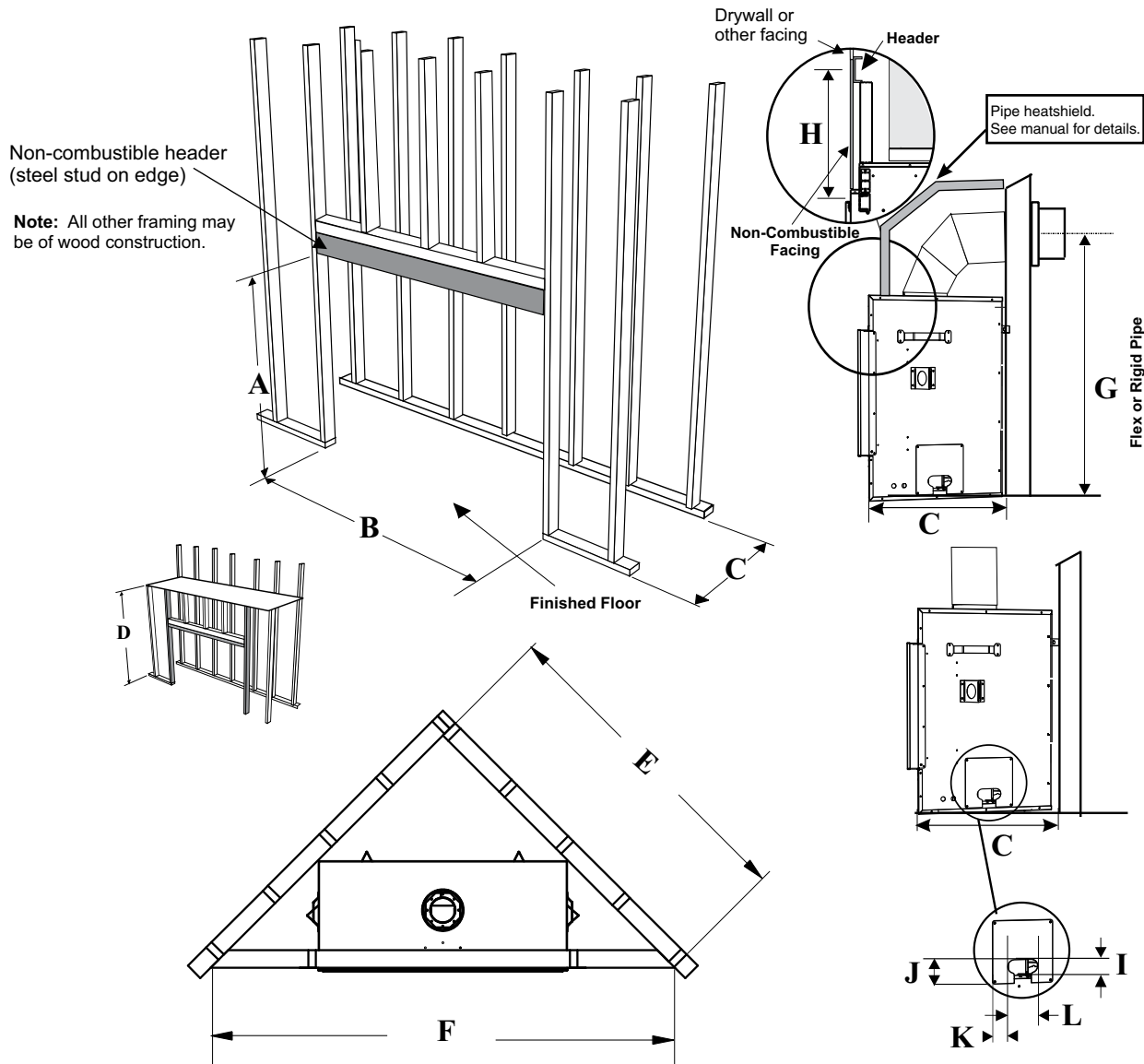
UNIT DIMENSIONS



FRAMING DIMENSIONS

Framing Dimensions	Description	U1500E
A	Framing Height	47" (1194mm)
B	Framing Width	55" (1397mm)
C*	Framing Depth	24-1/4" (615mm)
D	Minimum Height to Combustibles	69-1/2" (1765mm)
E	Corner Facing Wall Depth	65-3/4" (1670mm)
F	Corner Facing Wall Width	93" (2362mm)
G	Vent Centerline Height	41-3/8" (1051mm)
H	Non-combustible facing height	23-7/8" (606mm)
I	Gas Connection Opening Height	1-11/16" (43mm)
J	Gas Connection Height	2-11/16" (67mm)
K	Gas Connection Inset	1-1/8" (29mm)
L	Gas Connection Opening Width	4-11/16" (119mm)

* Framing depth measurement is noted with the nailing strips set as far forward on the firebox as possible. The nailing strips can be adjusted back up to 1-1/2" (38mm) to allow for varying thicknesses in non-combustible material & wall finishes. See non combustible section in the instruction manual for details.



CLEARANCES

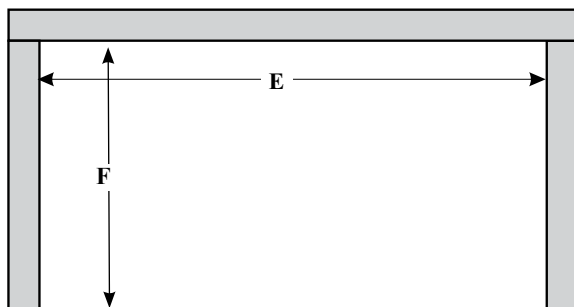
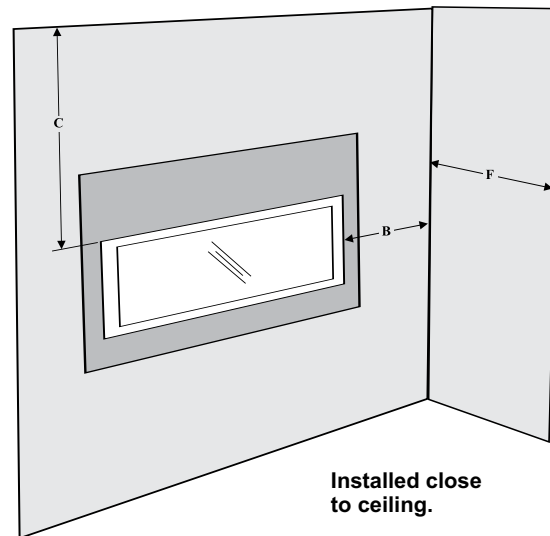
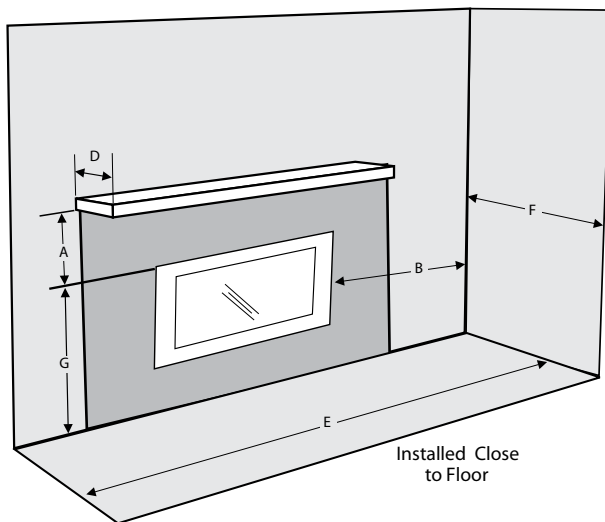
The clearances listed below are Minimum distances unless otherwise stated:

A major cause of chimney related fires is failure to maintain required clearances (air space) to combustible materials. It is of the greatest importance that this fireplace and vent system be installed only in accordance with these instructions.

Clearance:	Dimension	Measured From:
A: Mantel Height (min.)	25" (635mm)	Top of Fireplace Opening
B: Sidewall (on one side)	6" (152mm)	Side of Fireplace Opening
C: Ceiling (room and/or alcove)	46-1/4" (1175mm)	Top of Fireplace Opening
D: Mantel Depth (max.)	12" (305mm)	29" Above Fireplace Opening
E: Alcove Width	60" (1524mm)	Sidewall to Sidewall (Minimum)
F: Alcove Depth	36" (914mm)	Front to Back Wall (Maximum)
G: From Floor	24-1/4" (616mm)	Top of Fireplace Opening
Note:	0"	No hearth required

Flue Pipe Clearances to Combustibles	
Horizontal - Top	3"
Horizontal - Side	2"
Horizontal - Bottom	2"
Vertical	2"
Passing through wall/floor/ceiling - when firestop is used.	1-1/2"

The **HeatWave** Duct Kit has different clearance and framing requirements, check the **HeatWave** manual for details.



Alcove

Caution Requirements

The top, back and sides of the fireplace are defined by standoffs. The metal ends of the standoff may **NOT** be recessed into combustible construction.

WARNING

Fire hazard is an extreme risk

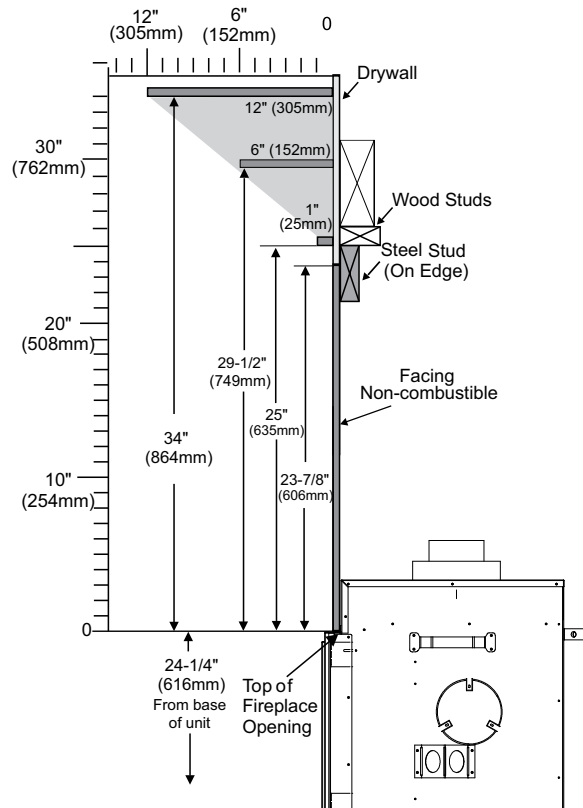
if these clearances (air space) to combustible materials are not adhered to. It is of greatest importance that this fireplace and vent system be installed only in accordance with these instructions.

U1500E Gas Fireplace

MANTEL CLEARANCES

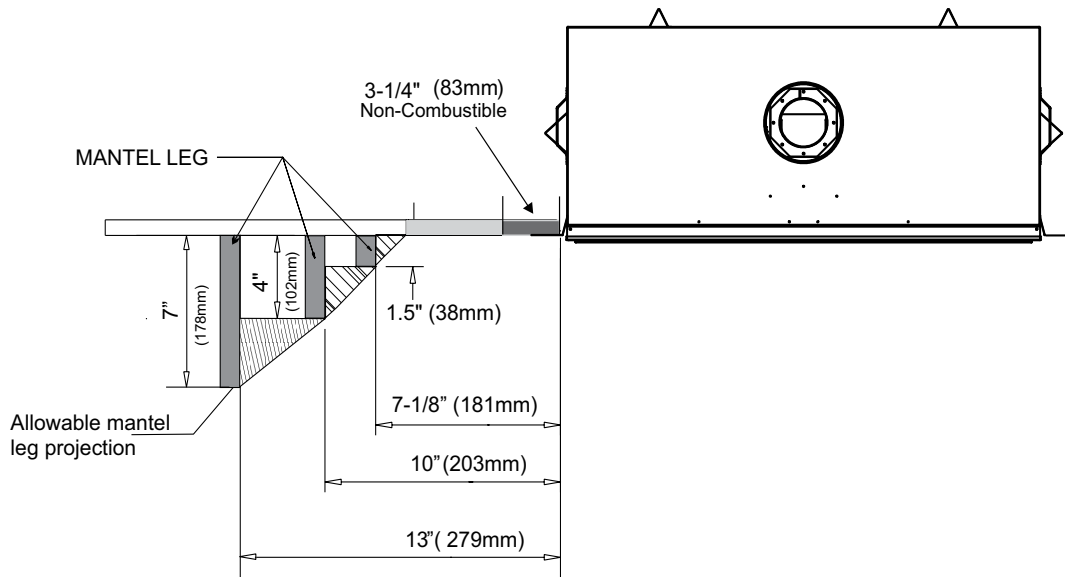
Due to the extreme heat this fireplace emits, the mantel clearances are critical. Combustible mantel clearances from top of front facing are shown in the diagram on the right.

Note: Ensure the paint that is used on the mantel and the facing is "high quality" or the paint may discolour.



MANTEL LEG CLEARANCES

Combustible mantel leg clearances as per diagram:



NON-COMBUSTIBLE REQUIREMENTS

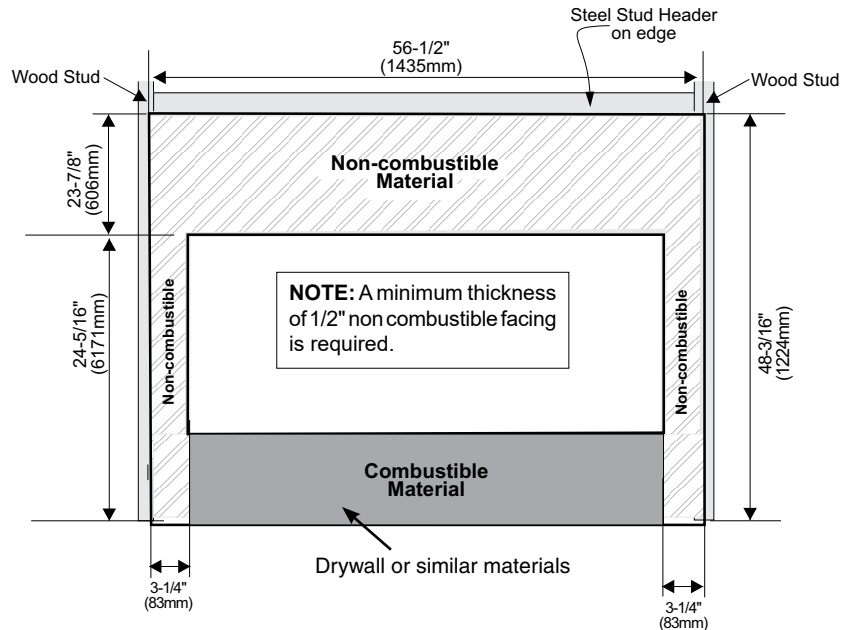
* Installation of the ON/OFF Wall Switch/Battery Holder must be completed before installing non-combustible facing.

All three pieces (top, 2 sides) are supplied to meet the non-combustible requirements.

Calcium silicate board is a high - grade material with cement, quartz, natural and selected minerals as the main raw materials. It is widely used for partitions and ceilings in buildings. It is fire proof and earthquake proof.

If finishing the wall above the unit with materials such as tile, brick, marble, etc. non-combustible board available from the building supply store can be used.

Note: Calcium Silicate is 1/2" thick



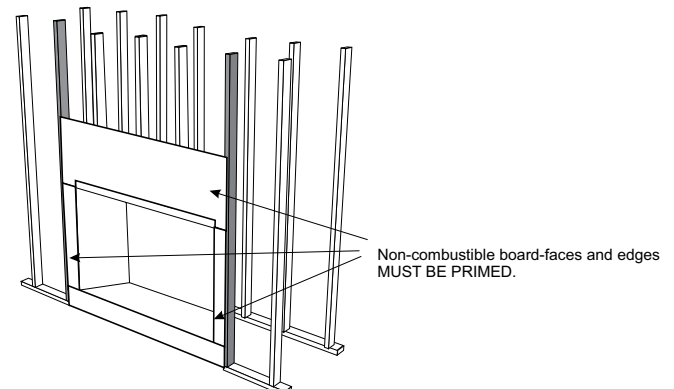
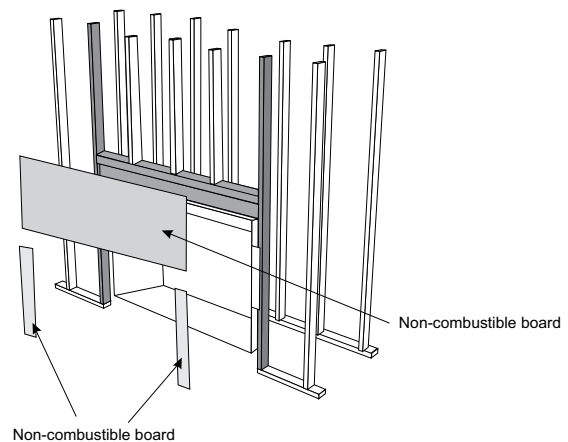
NON-COMBUSTIBLE FACING INSTALLATION

Caution: The non-combustible board can be damaged if dropped or struck. Handle with care.

1. Using drywall screws - secure non-combustible material around unit, framing and top nailing strip every 6 inches.

Important Note: To avoid cracking the board - pre-drill holes prior to securing to unit/ framing.

2. Wipe any debris/dust from the non-combustible material and drywall.
3. Prior to securing it is mandatory to prime the facing and edges using a quality primer. This will ensure proper adhesion of both the tape and mud. The supplied board is very porous. Failure to follow this procedure will result in cracked seams.
4. Tape the seams using a mesh type tape.
5. Mud seams as normal. We recommend using a product called Durabond high strength compound - for the first coat. This product can be found most hardware stores. Mud must be cured as per manufacturer's recommendations.
6. Prime wall for a second time for proper adhesion of paint
7. Paint walls using a high quality paint which will withstand the high temperatures being emitted from this appliance.



U1500E Gas Fireplace

FRAMING & FINISHING

1. Frame in the enclosure for the unit with framing material.

IMPORTANT: The framed opening must be of non-combustible material.

Note: When constructing the framed opening, please ensure there is access to install the gas lines when the unit is installed.

2. For exterior walls, insulate the enclosure to the same degree as the rest of the house, apply vapour barrier and drywall, as per local installation codes. **(Do not insulate the fireplace itself and/or the venting. Clearances must be maintained as per this manual.)**

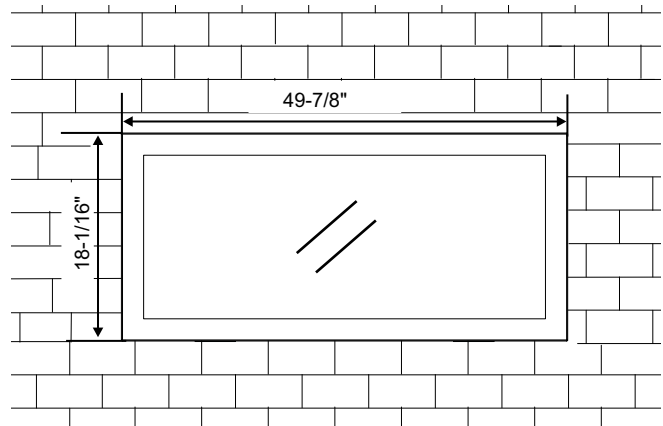
WARNING: Failure to insulate and add vapor barriers to the inside of the exterior wall will result in operational and performance problems including, but not limited to: excessive condensation on glass doors, poor flame package, carbon, blue flames etc. These are not product related issues.

3. The unit does not have to be completely enclosed in a chase. You must maintain clearances from the vent to combustible materials: See "Clearances" section. Combustible materials can be laid against the side and back standoffs and the stove base.

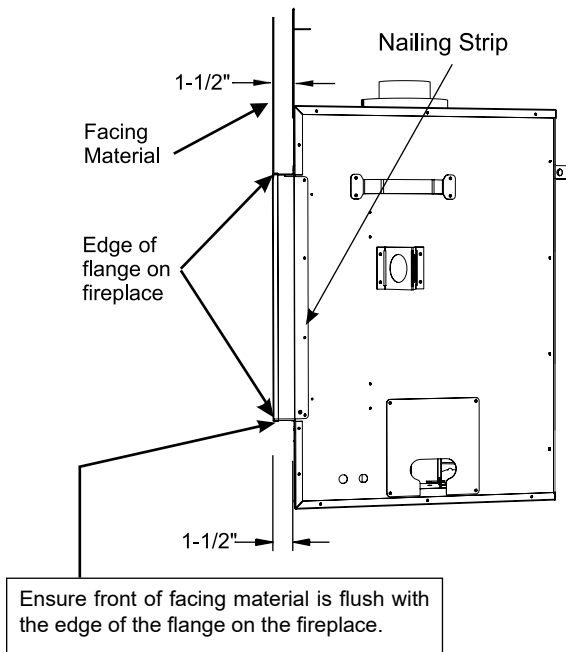
4. Non-combustible material (ie. tile, slate, etc) may be brought up to and overlap the unit (top and bottom) ensuring that the maximum thickness does not go beyond the 1-1/2" as shown in the diagram below. The faceplate will not be able to be mounted if finished material is beyond 1-1/2".

5. If material such as brick, stone, etc extends past the faceplate depth 1-1/2", when finishing around the faceplate, the minimum opening dimensions noted below must be adhered to ensuring for the removal of the faceplate and for the safe operation of this appliance.

NOTE: Spacing of 1" around the completed surround must be adhered to.

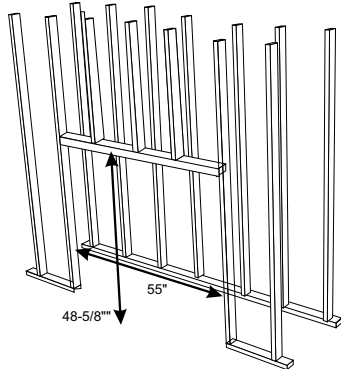


*Unit shown with inner door frame only
Using the clean edge of the unit shown in a typical tiled facing.*

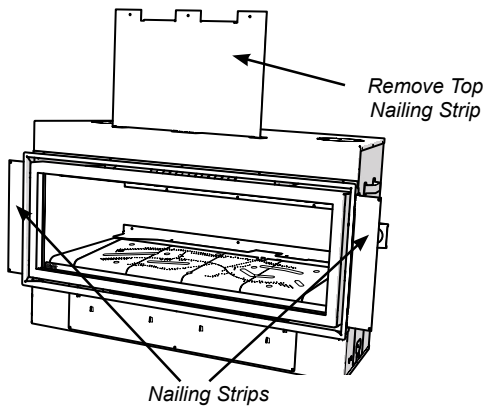


OPTIONAL FRAMING KIT

1. Construct the timber framing, ensure inside dimensions are 48-5/8" H x 55" W as shown below.

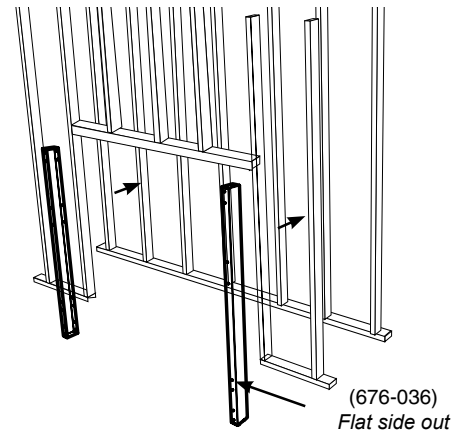
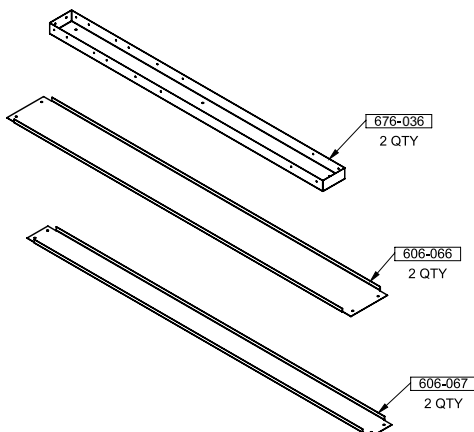


2. Bend both side nailing strips from the side of the appliance until positioned as shown below. Determine the overall combined thickness of the non-combustible board + finished material being used. The nailing strips can be adjusted up to 1-1/2". Remove top nailing strip (by removing 3 screws) and recycle.

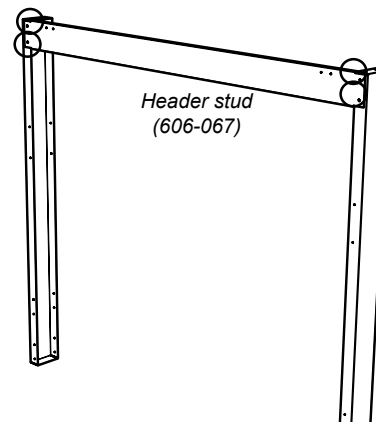


3. Adjust the nailing strips by loosening 2 screws on each nailing strip - adjust and retighten screws.
4. Attach both vertical studs (676-036) to the vertical timber studs and secure using 6 screws (2 at bottom, 2 at top and 2 on sides) as shown.

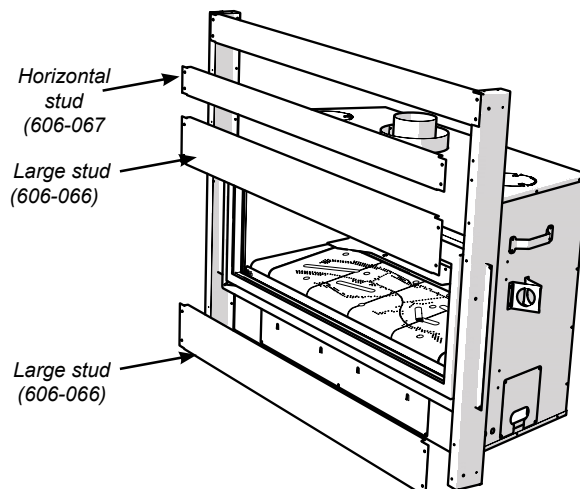
NOTE: Ensure the flat side of the steel stud is facing the wood framing.



5. Secure horizontal steel header stud (606-067) with 2 screws per side as per diagram.



6. Slide the unit into position. Hook up gas, venting, electrical and conversion kit (if purchased) prior to installing the remaining steel studs.
7. Secure the upper horizontal steel studs as shown with 2 screws per side.
8. Secure the 2 remaining large horizontal studs (606-066) with 2 screws per side as shown.



VENTING INTRODUCTION

The U1500E uses the "balanced flue" technology Co-Axial system. The inner liner vents products of combustion to the outside while the outer liner draws outside combustion air into the combustion chamber thereby eliminating the need to use heated room air for combustion and losing warm room air up the chimney.

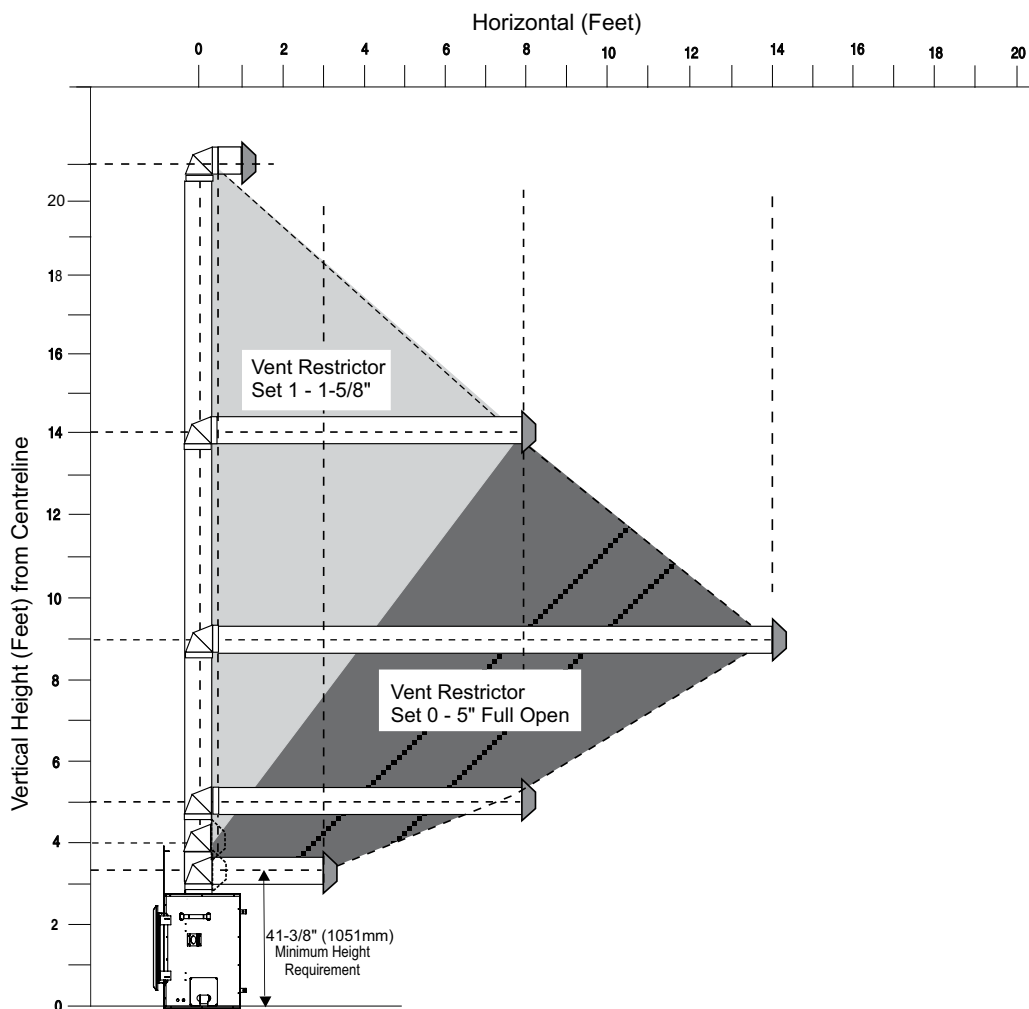
Note: These flue pipes must not be connected to any other appliance.

The gas appliance and vent system must be vented directly to the outside of the building, and never be attached to a chimney serving a separate solid fuel or gas burning appliance. Each direct vent gas appliance must use it's own separate vent system. Common vent systems are prohibited.

VENTING ARRANGEMENT FOR HORIZONTAL TERMINATIONS

The diagram shows all allowable combinations of vertical runs with horizontal terminations, using one 90° (two 45° elbows equal one 90° elbow).

Note: Must use optional rigid pipe adapter (Part# 770-994) when using Rigid Pipe Venting Systems.



VENT RESTRICTOR SETTING:

Vent restrictor factory set at Set 0.

Refer to the "Vent Restrictor Position" section for details on how to change the vent restrictor from the factory setting of Set 0 to Set 1 if required.

Note: For horizontal terminations the Regency Direct Vent Flex System may be used for installations with a maximum continuous vent length of up to 10 feet. If longer runs are required, rigid pipe must be used.

- Maintain clearances to combustibles as listed in "Clearances" section
- Horizontal vent must be supported every 3 feet.
- Firestops are required at each floor level and whenever passing through a wall.
- A vent guard should be used whenever the termination is lower than the specified minimum or as per local codes.

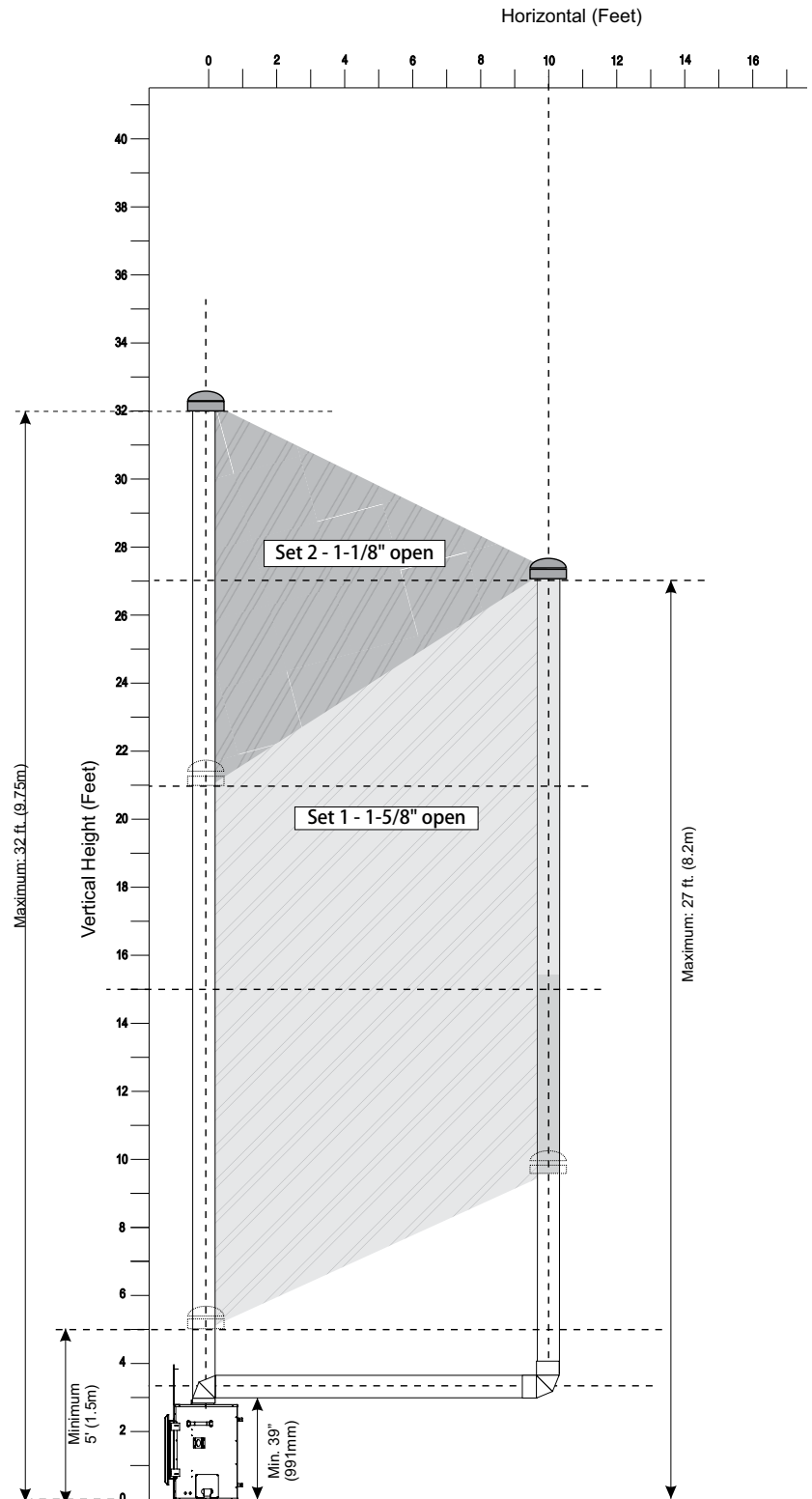
VENTING ARRANGEMENT FOR VERTICAL TERMINATIONS

Vertical Venting with One (1) 90° Elbows (1 - 90° = 2 - 45°) with straight Vertical and or a maximum offset using 2 - 90° elbows

The shaded area in the diagram shows all allowable combinations of straight vertical and offset to vertical terminations, using one 90° elbow, with **Rigid Pipe Venting Systems**.

Two 45° elbows equal to one 90° elbow.

- Vent must be supported at offsets.
- Minimum distance between elbows is 1 ft. (305mm).
- Maintain clearances to combustibles as listed in the "Clearances" section.
- Horizontal vent must be supported every 3 feet.
- Firestops are required at each floor level and whenever passing through a wall.
- Must use optional rigid pipe adaptor (Part# 770-994) when using rigid pipe vent systems.
- Refer to the "Vent Restrictor Position" section for details on how to change the vent restrictor from the factory setting of Set 0 to Set 1 or Set 2 if required.



Vertical Venting with Three (3) 90° Elbows

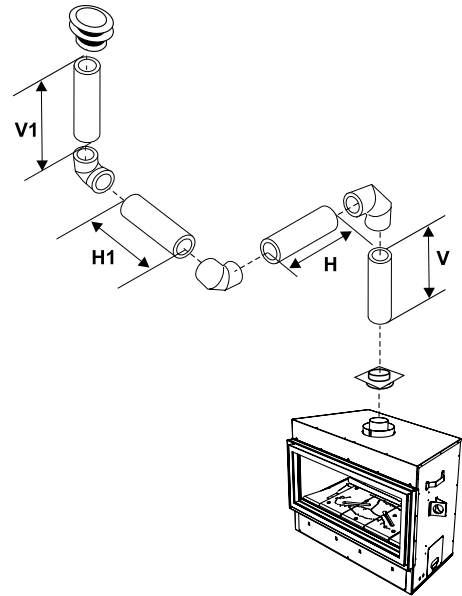
One 90° elbow = Two 45° elbows.

Option	V	H + H1	V + V1
A)	0' Min.	2' Max.	2' Min.
B)	1' Min.	2' Max.	3' Min.
C)	2' Min.	3' Max.	4' Min.
D)	3' Min.	4' Max.	6' Min.
E)	4' Min.	5' Max.	7' Min.
F)	5' Min.	6' Max.	8' Min.
G)	6' Min.	7' Max.	9' Min.
H)	7' Min.	8' Max.	10' Min.

With these options, max. total pipe length is 30 feet with min. of 10 feet total vertical and max. 8 feet total horizontal.

Please note min. 1 foot between 90° elbows is required.

Restrictor Set 0 - 5" Factory Setting



Horizontal Venting with Two (2) 90° Elbows

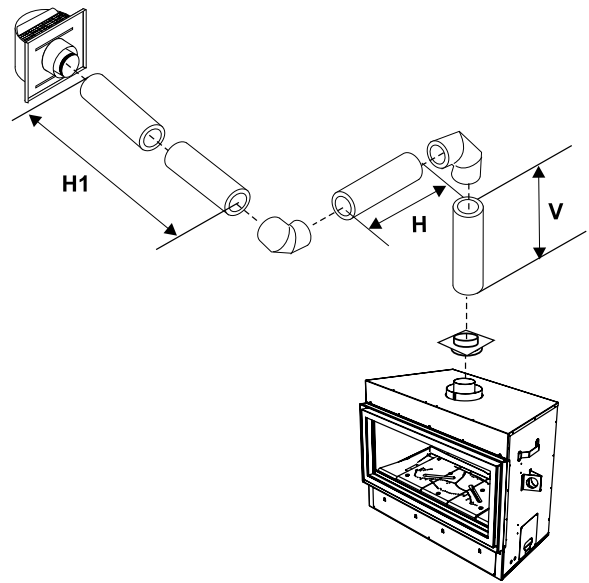
One 90° elbow = Two 45° elbows.

Option	V	H + H1
A)	1' Min.	3' Max.
B)	2' Min.	4' Max.
C)	3' Min.	5' Max.
D)	4' Min.	6' Max.
E)	5' Min.	7' Max.
F)	6' Min.	8' Max.

With these options, maximum total pipe length is 30 feet with minimum of 6 feet total vertical and maximum 8 feet total horizontal.

Please note minimum 1 foot between 90° elbows is required.

Restrictor Set 0 - 5" Factory Setting



Horizontal Venting with Three (3) 90° Elbows

One 90° elbow = Two 45° elbows.

Option	V	H	V + V1	H + H1
A)	0' Min.	1' Max.	1' Min.	2' Max.
B)	1' Min.	2' Max.	3' Min.	3' Max.
C)	2' Min.	2' Max.	5' Min.	4' Max.
D)	3' Min.	2' Max.	7' Min.	5' Max.
E)	4' Min.	3' Max.	9' Min.	6' Max.
F)	5' Min.	4' Max.	10' Min.	7' Max.
G)	6' Min.	5' Max.	11' Min.	8' Max.
H)	7' Min.	6' Max.	12' Min.	9' Max.

With these options, max. total pipe length is 30 feet with min. of 12 feet total vertical and max. 9 feet total horizontal.

Please note min. 1 foot between 90° elbows is required.

Restrictor Set 0 - 5" Factory Setting

