

# Viewpoint Series

by Stellar Hearth Products

Direct Vent Gas Fireplaces

VP-36M · VP-36T · VP-48T · VP-48TP



VP-36T Direct Vent Fireplace

Shown with optional brick refractory and Clean Trim front in Black Suede

*A Maximized View From Every Angle*

## The Unique Shape Of Our Viewpoint Series Offer More of everything you want in a fireplace.

The Viewpoint Series is designed to provide a wider viewing area with greater sightlines into the firebox, no matter where you are in the room.

The shape allows the fireplace to tuck into a corner more tightly than standard fireplaces, taking up less space in your room while offering a larger view.

Available in two sizes (36" and 48"), and whether your taste is more traditional or runs more contemporary, our Viewpoint Series can match yours.

- VP-36M with Contemporary Vortex Burner
- VP-36T with Traditional Woodburning Log Set
- VP-48T with Traditional Woodburning Log Set
- VP-48TP with Unique Campfire Log Set

They come standard with a black interior and offer optional interiors of refractory brick, ledgestone and reflective mirrored panels.

Finish your fireplace off with your choice of four decorative fronts that have distinctive styles and finish options to provide the perfect look.



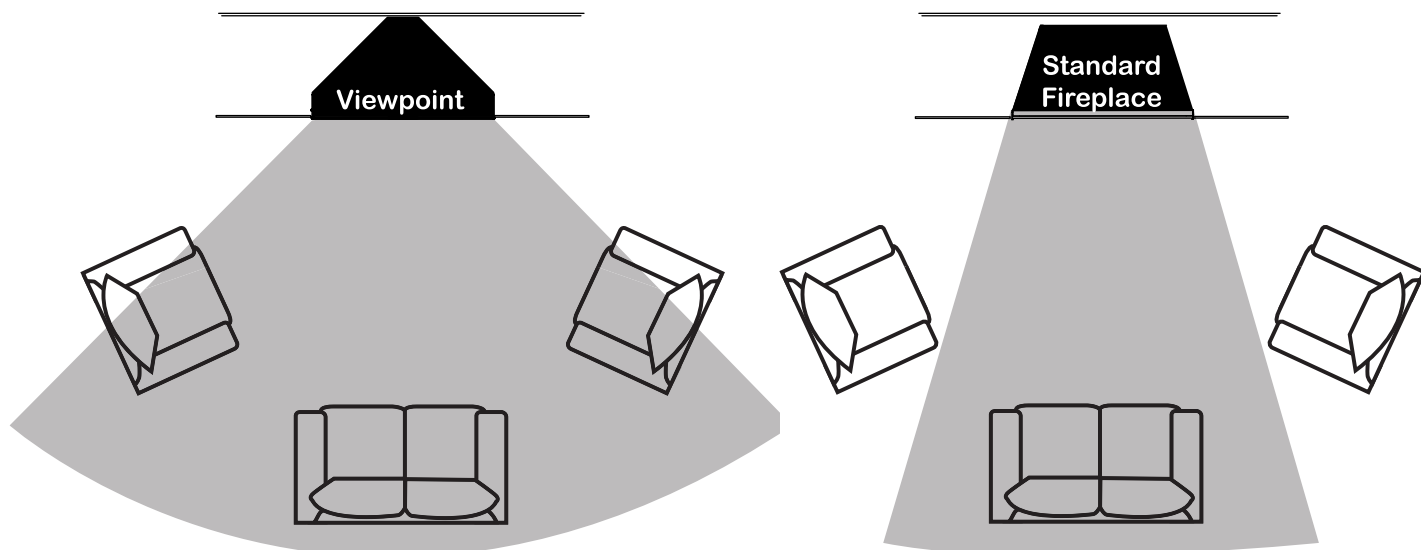
**VP-36T**

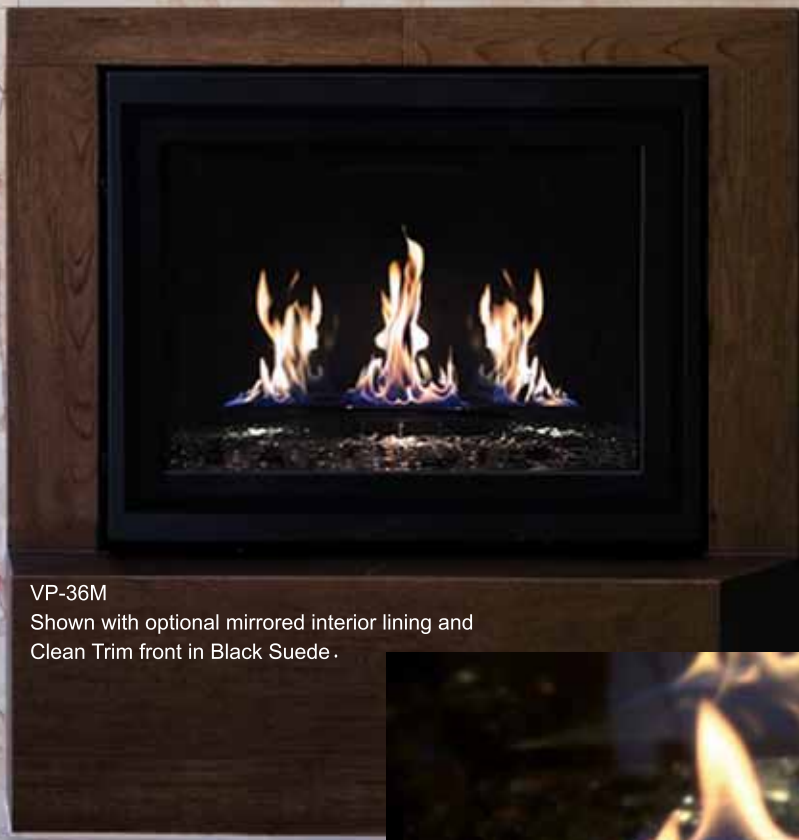
Shown with optional ledgestone interior and Clean Trim front in Black Suede.

## We See Everything from your point of view.

Your point of view is what matters most, so we designed the interior of the Viewpoint fireplaces to give you a complete view of the fireplace from any angle of the room. This is especially true in a corner installation where the fireplace literally goes wall-to-wall and there is not one area in the room where you don't see 100% of the beautiful fire.

The viewing area opens up much wider than a standard fireplace with the same footprint creating the biggest viewing show possible.





VP-36M  
Shown with optional mirrored interior lining and  
Clean Trim front in Black Suede.



VP-36T images shown on cover and options page.

### **Vortex Burner**

Perhaps one of the most exciting fireplaces we've ever designed, the one-of-a-kind Vortex Burner creates a fire that is ever changing. When paired with the optional interior mirrored lining, it is mesmerizing how it creates the illusion of multiple fires and a waterfall of flames effect in the reflections.

## *VP-36M & VP-36T ... it's all in the little details.*

The Viewpoint Series have just the right details to match any unique décor or space requirements helping you to create a beautiful environment for your ideal home. The 36" Viewpoint fits into the same footprint that a standard 32" fireplace would, yet has a viewing area that is 95% larger making excellent use of your space and opening the fireplace to be enjoyed from any point in the room.

The 36" Viewpoint is available in two distinctively different styles ranging from more traditional to very contemporary.

- VP-36T - Traditional Log Set
- VP-36M - Modern Vortex Burner

With the right mix of style and imagination, the additional details, optional liners and decorative fronts allow you to bring your room to life.

# Viewpoint Series

by Stellar Hearth Products



**VP-48T**  
Shown with standard black interior and Clean Trim front in Black Suede.

*VP-48T and VP-48TP*

**boast the largest viewing area in their classes.**

We carefully consider not only the artistry of the fire and logs, but the firebox function itself and how it can fit perfectly into the space within your room. The Viewpoint 48 fireplaces unique triangular shape of the firebox fits in the same footprint as a typical 36" fireplace, yet has a huge viewing area that is 41% larger. You maximize your space without compromising on looks.

Your room is an extension of your own personal style and the Viewpoint 48 has different log set choices and interior options to fit yours.

VP-48T - Traditional Log Set

VP-48TP - Campfire Log Set

Whether you like the clean look of the standard black interior, more traditional with one of the refractory options or the unique effects of the mirrored panels, you have interior options to set the stage for a great show.



**VP-48TP**  
Shown with optional brick refractory interior and Clean Trim front in Black Suede.

## Interior Lining Options

The Viewpoint Series fireplaces come standard with a black interior that perfectly highlights the beautiful fire.

You also have a choice of optional liners:

### Brick Refractory -

For a more traditional décor, the brick refractory is the go-to interior liner that gives your fireplace the look of a true masonry fireplace.

### Ledgestone Refractory -

With subtle brown and gray tones, the thin-stacked stone is the perfect backdrop for the rich glow of the fire.

### Mirrored Panels -

Making the fireplace seem even larger than it is, the mirrors reflect the logs, flames and lights to give the illusion of the fireplace being see-through and also having multiple log sets inside.



### Standard Black Interior

Shown in the VP-48T.



### Mirrored Panels Options

Shown in the VP-36M, gives the illusion of multiple fires and a deeper firebox.



### Ledgestone Refractory Option

Shown in the VP-48TP.



### Refractory Brick Option

Shown in the VP-36T.

Create A Look that is uniquely yours.

## Decorative Fronts

Add the finishing touch to your Viewpoint fireplace with a choice of four different decorative fronts available in three different finishes.

### Decorative Front Options -

- Clean-Trim Front
- Mission Front
- Diamond Front
- Signature Front

### Finish Options -

- Black Suede
- Gun Metal Gray
- Mahogany

A variety of custom finishes are also available with extended lead times. Colors printed on brochure may differ from actual finish due to differences in the printing process.



### Clean Trim Front

Shown on the VP-36T in Black Suede finish.



### Diamond Front

Shown on the VP-36T in Mahogany finish.



### Mission Front

Shown on the VP-36T in Gun Metal Gray finish.



### Signature Front

Shown on the VP-36T in custom Ancient Age finish.



**Features and Benefits: Viewpoint**

**36M**

**36T**

**48T**

**48TP**

*Designed To Maximize Your Space While Giving You A Large View Of The Beautiful Fire*

Triangular Shaped Firebox - Ideal For Corner Installations	Standard	Standard	Standard	Standard
Floating Firebox Design For Clean-Faced Look And Added Efficiency	Standard	Standard	Standard	Standard
Largest Viewing Area In Its Class	35" X 24"	35" X 24"	48" X 24"	48" X 24"

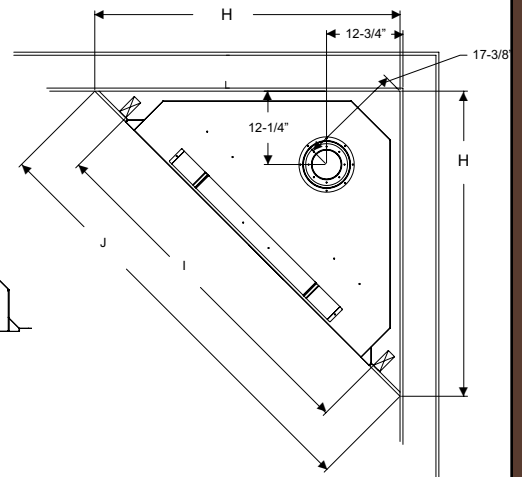
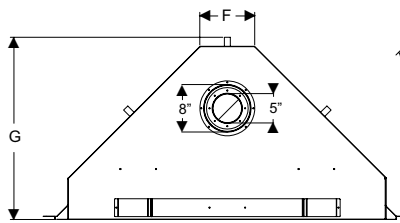
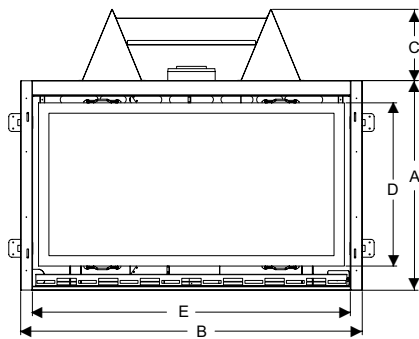
*A Beautiful Fire, Perfect For Both Contemporary Or Traditional Decors, With Added Features For Year-Round Appeal*

Variable BTU's Input/Hr	Low - 22,000 High - 37,000	Low - 22,000 High - 37,000	Low - 30,000 High - 50,000	Low - 30,000 High - 50,000
Beautiful Woodburning Log Set That Fills Out The Entire Firebox And Looks Great From Any Angle	Not Available	7-Piece Traditional	9-Piece Traditional	11-Piece Campfire
Lighted Burning Ember Bed Enhances The Realistic Burn Of The Fire And Logs	Standard	Standard	Standard	Standard
Vortex Floating Burner Offers A One-Of-Kind Burn With Flames Hovering Around A Reflective Pool Of Light And Fire	One Of-A-Kind	Not Available	Not Available	Not Available
Wireless Remote Control With Multiple Features - Easily Adjusts Flames, Heat And Light	Standard	Standard	Standard	Standard
160 CFM Fan Kit More Effectively Controls The Heat Distribution	Optional	Optional	Optional	Optional

*Decorative Front and Interior Options To Create The Perfect look*

Choice of four decorative fronts in four finishes to match any décor	Optional	Optional	Optional	Optional
Reflective Mirrored Panels Make The Fireplace Seem Even Larger Than It Is And Give The Illusion Of Multiple Dancing Fires Inside	Optional	Optional	Optional	Optional
Ledgestone Is Thin-Stacked Refractory With Subtle Brown And Gray Tones	Not Available	Optional	Optional	Optional
Firebrick Is A More Traditional Refractory That Gives The Look Of A Masonry Fireplace	Not Available	Optional	Optional	Optional

*Large view of the fire from any angle in the room.*



VP-36M/T Glass Viewing Area: 35" x 24" - **95% Larger** Than the Competition

VP-48t/TP Glass Viewing Area: 48" x 24" - **40% Larger** Than the Competition

Unit	A	B	C	D	E	F	G	H	I	J
	Height	Width	Standoff	Glass Frame Height	Opening Width	Back Width	Depth	Out From Corner	Corner Framing Width	Corner Width
VP-36M/T	35-3/8"	44-1/2"	12"	27-1/2"	40-1/2"	8-3/4"	24"	41-1/2"	45-1/2"	58-5/8"
VP-48t/TP	35-3/8"	57-1/2"	12"	27-1/2"	53-1/2"	9-1/4"	30-5/8"	51"	58-5/8"	72-1/8"

The Viewpoint Series is listed with 5" x 8" DV Pipe. The VP36T/M may have an elbow directly off the top. The VP-48T/TP is required to have a 24" section of pipe prior to elbow. Gas line comes through on the left side and electrical comes through on the right side.

We reserve the right to updates products, specifications and dimensions are subject to change. Please refer to the complete VP Series Installation and Operating Instruction Manual to verify measurements and clearance requirements. Colors of the finishes may vary from the printed materials. All local building codes must be followed.



Stellar Hearth Products, a brand of Big Woods Hearth Products, Inc.  
14351 Ewing Avenue S, Burnsville, MN 55306  
(P) 952.224.4072

(E) info@stellarhearth.com  
www.stellarhearth.com  
BRO\_Viewpoint Rev A