

TRADITIONAL
GAS FIREPLACES



www.regency-fire.com



TRADITIONAL
GAS FIREPLACES

Why choose Regency?

Beautiful Home Heating Solutions

Regency Fireplace Products was founded over 35 years ago with a mission to produce the finest fireplace products available anywhere. Regency has heating solutions for every room in your home. Listening to our customers has enabled us to become the premium brand in the market today.

Regency Quality

The Regency name means quality in every way. The product is created and built in a world class manufacturing facility focused on getting every detail just right. Represented across North America by a carefully selected professional retail network, you can rely on knowledgeable dealers and installers who understand how to make our products run safely and to the optimum performance.

Exceptional Fire

The essence of each and every Regency fireplace is the unique flame. Without question, it's the best in the industry. With its dancing flames and glowing embers, the Regency fire looks just like a wood fire.

Custom Styling

By researching current trends and styles we have created tasteful options and accessories that allow you to tailor the look of our fireplace to your home. Sleek and simple or grand and glamorous... your choice.

Lifetime Warranty

I am so confident in the quality workmanship, the finest materials and durable heavy-duty construction invested in each and every product, that I offer a Limited Lifetime Warranty. The Regency warranty is the best in the industry. I am absolutely sure that you will be as proud of your Regency Gas Fireplace as I am – I guarantee it.



Robert Little
Founder & CEO



index

Bellavista® Gas Fireplaces

B41XTCE, B41XTE 4

B36XTCE, B36XTE 6

Regency Panorama® Gas Fireplaces

P36, P36E, P36D 8

P33, P33E, P33CE 10

P131, P121 12

Excalibur & Liberty Gas Fireplaces

P90 14

L965 15

Design Choices & Inspiration

16

Technical Specs

22



Bellavista® Large Gas Fireplaces

B41XTCE & B41XTE



Bellavista B41XTCE with old town red brick panels and integrated safety screen.



B41XTE - Vignette Faceplate - Black



B41XTE - Vignette Faceplate - Tuscan Sunset



B41XTE - Vignette Faceplate - Platinum

Expansive viewing area

With its impressive viewing area and artistic fire presentation, the Bellavista® creates beautiful gathering spaces. The B41XTCE offers a flush face design for a frameless display, while the B41XTE offers a range of trim finishes to suit any environment. Platinum embers and finely detailed logs molded from real wood create a truly authentic fire experience. With 42,500 BTUs of controllable heat, the Bellavista is an efficient direct vent fireplace perfect for medium to large living spaces.



Bellavista B41XTE shown with Vignette faceplate in Tuscan Sunset, rustic brown brick panels and integrated safety screen.



B41XTE - Vignette Faceplate - Black Chrome



B41XTE - Vignette Faceplate -Black
Vignette Door Inlay - Black



B41XTE - Vignette Faceplate -Black
Vignette Door Inlay - Tuscan Sunset

Specifications (NG)*	B41XTCE	B41XTE
Input (BTU)	42,500	42,500
Turn down to (BTU)	30,000	30,000
EnerGuide Rating (Canada only)	68.59%	68.59%
Efficiency (steady state)	73%	73%

Dimensions (finished area)		
Viewing Area	840 sq. in.	840 sq. in.
Width	38-7/16"	41-11/16"
Height	29-1/8"	36-11/16"
Depth	25-9/16"	22-3/8"

* For propane (LP) specs please see page 22.
For detailed specifications please see pages 22-23.

Standard Features

- Natural gas or propane
- Safety screen
- Ceramic glass
- Log set with embers
- Fire grate
- Flame height adjustment control
- Proflame remote control
- Electronic ignition with SureFire™ switch
- Top or rear vent for versatile installations
- Limited lifetime warranty

Options

- Vignette surrounds in various colors**
- Vignette door inlays in various colors**
- Vignette finishing trim**
- Brick panels in a variety of colors and designs
- Inner reflective panels in black enamel
- Accent light
- Flush panels & mesh guard**
- Ember upgrade kit
- Wall thermostat
- Variable speed blower
- Vertical or horizontal vent terminations
- AstroCap® venting system

** B41XTE only

Bellavista® Medium Gas Fireplaces

B36XTCE & B36XTE



Bellavista B36XTCE shown with rustic brown brick panels and integrated safety screen.



B36XTE - Vignette Faceplate - Black



B36XTE - Vignette Faceplate - Tuscan Sunset



B36XTE - Flush panels

Bold flames

Bellavista means beautiful view in Italian. This is a perfect description of the fire view from the most popular sized fireplaces in the Regency line up. The B36XTCE and B36XTE models feature a bold flame and log package behind a 641 square inch viewing area providing up to 31,000 BTU of comforting heat. The quality workmanship is evident in the fine finishes, custom accessories and high safety ceramic glass.



Bellavista B36XTE shown with Vignette faceplate in platinum, Vignette finishing trim and integrated safety screen.



B36XTE - Vignette Faceplate - Black Chrome



B36XTE - Vignette Faceplate -Black
Vignette Door Inlay - Tuscan Sunset



B36XTE - Vignette Faceplate -Black
Vignette Door Inlay - Black

Specifications (NG)*	B36XTCE	B36XTE
Input (BTU)	31,000	31,000
Turn down to (BTU)	21,500	21,500
EnerGuide Rating (Canada only)	66.5%	66.5%
Efficiency (steady state)	71%	71%

Dimensions (finished area)	B36XTCE	B36XTE
Viewing area	641 sq.in.	641 sq.in.
Width	32-7/8"	36"
Height	25-5/8"	35-1/4"
Depth	23-5/8"	17-5/16"

* For propane (LP) specs please see page 22.
For detailed specifications please see pages 22-23.

Standard Features

- Natural gas
- Safety screen
- Ceramic glass
- Log set with embers
- Fire grate
- Flame height adjustment control
- Proflame remote control
- Electronic ignition with SureFire™ switch
- Top or rear vent for versatile installations
- Limited lifetime warranty

Options

- Vignette surrounds in various colors**
- Vignette door inlays in various colors**
- Vignette finishing trim**
- Brick panels in a variety of colors and designs
- Inner reflective panels in black enamel
- Accent light
- Ember upgrade kit**
- Flush panels & mesh guard**
- Variable speed blower
- Wall thermostat
- Propane conversion kit
- Vertical or horizontal vent terminations
- AstroCap® venting system

** B36XTE only

Panorama® Medium Gas Fireplaces

P36/P36E/P36D



Panorama® P36 shown with Vignette faceplate in black, Vignette finishing trim, rustic brown brick panels and integrated safety screen



Black Louvers



Vignette Faceplate - Tuscan Sunset



Vignette Faceplate - Platinum

Popular size with versatile style

The most popular fireplace size is available in both slim and deep box designs, delivering a beautiful fire and efficient heat to most common family rooms, dens and bedrooms.

With the versatile Panorama P36, you can turn a traditional fireplace into a dynamic part of your home décor. Customize with warm finishes, screen doors and decorative accents - make it your Regency, right down to the last detail.



P33 shown with Vignette faceplate in black chrome, Vignette finishing trim, rustic brown brick panels and integrated safety screen.



Vignette Faceplate - Black
Vignette Door Inlay - Black



Vignette Faceplate - Black
Vignette Door Inlay - Black Chrome



Vignette Faceplate - Black
Vignette Door Inlay - Tuscan Sunset

Specifications (NG)*	P36	P36E	P36D
Input (BTU)	30,000	29,500	30,000
Turn down to (BTU)	15,500	19,500	15,500
EnerGuide Rating (Canada only)	62.70%	67.45%	64.6%
Efficiency (steady state)	82%	82%	82%

Dimensions	P36	P36E	P36D
Viewing area	452 sq.in.	452 sq.in.	452 sq.in.
Width	36"	36"	36"
Height	30-1/2"	30-1/2"	30-1/2"
Depth	12-3/4"	12-3/4"	17-1/8"

* For propane (LP) specs please see page 22.
For detailed specifications please see pages 22-23.

Standard Features

- Natural gas
- Safety screen
- Ceramic glass
- Log set with embers
- Fire grate
- Flame height adjustment control
- Proflame remote control
- Electronic ignition with Surefire™ switch (P36E)
- Direct spark ignition (P36/P36D)
- Limited lifetime warranty

Options

- Vignette surrounds in various colors
- Vignette door inlays in various colors
- Vignette finishing trim
- Brick panels in a variety of colors and designs
- Ember upgrade kit
- Black louvers & mesh guard
- Variable speed blower
- Wall thermostat
- Propane conversion kit
- Vertical or horizontal vent terminations
- Heat Wave™ power duct kit
- Heat Release™ kit
- AstroCap® venting system

Panorama® Small Gas Fireplaces

P33/P33E/P33CE



Panorama® P33 shown with rustic brown brick panels, Vignette faceplate in black, Vignette door inlay in black chrome and integrated safety screen.



P33CE - Verona Surround - Stainless Steel



P33CE Verona Surround - Black Glass



P33 - Vignette Faceplate - Platinum

Compact design

True flush finishing provides an unobstructed view of the fire in Regency's new Panorama™ P33CE gas fireplace. As a focal point in small to medium-sized spaces, the P33CE embodies the complete fireplace experience with a ceramic log set and glowing embers. Measuring just 12-3/4 inches in depth, the slim design of the P33 offers tall style in a compact size with all the features of the Panorama collection and just the right amount of heat output.



Panorama® P33CE shown with rustic brown brick panels and integrated safety screen.



P33 - Vignette Faceplate - Black Chrome



P33 - Vignette Faceplate -Black
Vignette Door Inlay - Black Chrome



P33 - Vignette Faceplate -Black
Vignette Door Inlay - Tuscan Sunset

Specifications (NG)*	P33CE	P33E	P33
Input (BTU)	20,000	20,000	20,000
Turn down to (BTU)	14,000	14,000	14,000
EnerGuide Rating (Canada only)	67.41%	67.41%	65.50%
Efficiency (steady state)	76%	76%	76%

Dimensions			
Width	34-9/16"	33"	33"
Height	29-1/4"	29"	29"
Depth	16"	12-3/4"	12-3/4"

* For propane (LP) specs please see page 22.
For detailed specifications please see pages 22-23.

Standard Features

- Natural gas
- Safety screen
- Ceramic glass
- Log set with embers
- Fire grate
- Flame height adjustment control
- Proflame remote control
- Direct spark ignition(P33)
- Electronic ignition with SureFire® switch (P33E/P33CE)
- 45° flue for versatile installations
- Limited lifetime warranty

Options

- Verona glass or metal surrounds in various colors (P33CE)
- Vignette surrounds in various colors (P33/P33E)
- Vignette door inlays in various colors (P33/P33E)
- Vignette finishing trim (P33/P33E)
- Black louvers (P33/P33E)
- Brick panels in various colors and designs
- Ember upgrade kit
- Wall thermostat
- Variable speed blower
- Vertical or horizontal vent terminations
- Propane conversion kit
- Heat Wave™ power duct kit
- AstroCap® venting system

Panorama® Three & Two Sided Fireplaces P131 & P121



Panorama® P131 featuring black louvers and old town red brick panels.

One fire, two rooms

Enjoy the ambience of a Regency fire in two rooms with a see-through direct vent fireplace. The Panorama two and three sided gas fireplaces add a stylish transition between living spaces. The large glass viewing area maximizes the radiant heat output providing up to 40,000 BTUs of heat per hour.



P121 shown with black louvers and old town red brick panels.



P131 with black louvers and safety screen.



P121 with black louvers and safety screen.



P131 with black grilles

Specifications	Natural Gas	Propane
Input (BTU)	40,000	39,000
Turn down to (BTU)	20,500	20,600
EnerGuide Rating (Canada only)	60.66%	62.51%
Efficiency (steady state)	75%	75%

Unit Dimensions	P131	P121
Viewing area	1,658 sq.in.	1,305 sq.in.
Width	41-1/2"	43-1/2"
Height	36"	36"
Depth	25"	25"

For detailed specifications please see pages 22-23.

Standard Features

- Natural Gas
- Safety screen
- Tempered glass
- Log set with embers
- Fire grate
- Old town red side brick panels
- Black brick panel floor
- Blower
- Flame height adjustment control
- Proflame remote control
- 45° flue for versatile installations
- Limited lifetime warranty

Options

- Louvers or decorative grilles
- Finishing trim (P121 only)
- Ceramic glass for bathroom installations
- Ember upgrade kit
- Wall thermostat
- Vertical or horizontal vent terminations
- Propane conversion kit
- AstroCap® venting system



Excalibur P90 shown with herringbone brick panels and double door inlay with integrated safety screen.

Timeless arch design

The gentle arched design of this product provides the perfect backdrop for the beautiful Regency fire. Glowing embers and realistic split logs are molded from real wood to create the appeal of an authentic looking wood burning fire.

Standard Features

- Natural gas
- Arch surround in black with integrated safety screen
- Ceramic glass
- Log set with embers
- Fire grate
- Black brick panel floor
- Blower
- Proflame remote control
- Flame height adjustment control
- Limited lifetime warranty

Options

- Brick panels in various colors and designs
- Double door inlay
- Accent kits in polished gold or polished nickel for double door inlay & arch surround
- Wall thermostat
- Propane conversion kit
- Heat Wave™ power duct kit
- Heat Release™ kit
- AstroCap® venting system

Specifications (NG)*	P90
Input (BTU)	35,000
Turn down to (BTU)	18,200
EnerGuide Rating (Canada only)	67.75%
Efficiency (steady state)	75%

Faceplate Dimensions	
Width	37"
Height	29-1/4"

* For propane (LP) specs please see page 22.
For detailed specifications please see pages 22-23.



Liberty L965E shown with castlestone brick panels and integrated safety screen.

Elegant Style, Controllable Heat

Creating an elegant focal point is easy with the Regency Liberty® L965E. This clean face fireplace keeps the focus on the fire with one of the largest viewing areas available in the Regency line. The L965E permits finish materials to be installed to the edges for a pure, unadorned appearance. An adjustable burner system allows the flame to be controlled for mood and comfort from a roaring fire to a gentle glow all from the convenience of a hand-held remote control.

Specifications	Natural Gas	Propane
Input (BTU)	48,000	48,000
Turn down to (BTU)	16,000	17,000
EnerGuide Rating (Canada only)	63%	63%
Efficiency (steady state)	79%	79%
Dimensions		
Viewing area	965 sq.in.	
Width	36-13/16"	
Height	33-1/4"	
Depth	24"	

For detailed specifications please see pages 22-23.

Standard Features

- Natural gas
- Safety screen
- Ceramic glass
- Log set with embers
- Fire grate
- Accent lights
- Flame height adjustment control
- Proflame remote control
- Electronic ignition with SureFire™ switch
- Two stage burner
- Limited lifetime warranty

Options

- Brick panels in a variety of colors and designs
- Inner reflective panels in black enamel
- Propane conversion kit
- Vertical or horizontal vent terminations
- Heat distribution kit
- AstroCap® venting system

Design Choices - Traditional Collection

Clean face design options



P33CE



B36XTCE



B41XTCE



L965E

Metal Surrounds



Verona Metal Surround
P33CE

Glass Surrounds



Verona Glass Surround
P33CE

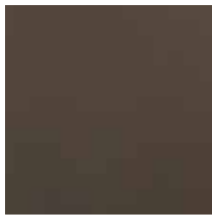
Metal Surround Finishes



Black



Stainless Steel



Sunset Bronze

Glass Surround Finishes



Pure Black



Chocolate Brown

Louvers



Black Louvers



Flush Panels

Vignette Faceplates*



P33/P33E



P36/P36E/P36D



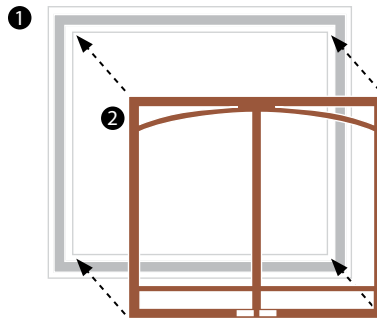
B36XTE



B41XTE

Door Inlays for Vignette Faceplates*

* Shown with finishing trim



- ① Vignette Faceplate
- ② Vignette Inlay

Vignette Faceplate & Inlay Finishes



Black



Black Chrome



Platinum*



Tuscan Sunset

* Not available for inlays

Inner Panels



Herringbone - Rustic Brown



Standard - Rustic Brown



Standard - Old Town Red



Standard - Charcoal



Castlestone



Ledgestone



Black Enamel Panels



Ember upgrade package

Options

Accessories - at a glance			L965E	B41XTCE	B41XTE	B36XTCE	B36XTE	P90	P36/ P36D	P36E	P33CE	P33E	P33	P131	P121	
Clean front		Glass	✓	✓	-	✓	-	-	-	-	✓	-	-	-	-	
Faceplates	Vignette	Black	-	-	★	-	★	-	★	★	-	★	★	-	-	
		Black Chrome	-	-	★	-	★	-	★	★	-	★	★	-	-	
		Platinum	-	-	★	-	★	-	★	★	-	★	★	-	-	
		Tuscan Sunset	-	-	★	-	★	-	★	★	-	★	★	-	-	
	Vignette Door Inlay	Black	-	-	★	-	★	-	★	★	-	★	★	-	-	
		Black Chrome	-	-	★	-	★	-	★	★	-	★	★	-	-	
		Tuscan Sunset	-	-	★	-	★	-	★	★	-	★	★	-	-	
	Vignette Finishing trim			-	-	★	-	★	-	★	★	-	★	★	-	-
	Surrounds	Metal	Black	-	-	-	-	-	-	-	-	★	-	-	-	-
Stainless Steel			-	-	-	-	-	-	-	-	★	-	-	-	-	
Sunset Bronze			-	-	-	-	-	-	-	-	★	-	-	-	-	
Glass		Pure Black	-	-	-	-	-	-	-	-	★	-	-	-	-	
		Chocolate	-	-	-	-	-	-	-	-	★	-	-	-	-	
Excalibur Arch Surrounds	Surround	Black	-	-	-	-	-	★	-	-	-	-	-	-	-	
	Door Inlay	Black	-	-	-	-	-	★	-	-	-	-	-	-	-	
Classic look	Louvers	Black	-	-	-	-	-	-	★	★	-	★	★	★	★	
	Flush panels	Black	-	-	★	-	★	-	-	-	-	-	-	-	-	
	Finishing Trim	Black	-	-	★	-	★	-	★	★	-	★	★	-	★	
Inner panels	Bricks	Standard - Rustic Brown	-	★	★	★	★	★	★	★	★	★	★	-	-	
		Standard - Old Town Red	★	★	★	★	★	★	★	★	★	★	★	★	✓	✓
		Standard - Charcoal	-	★	★	-	-	-	-	-	-	-	-	-	-	-
		Herringbone - Rustic Brown	-	-	-	-	-	-	★	★	★	★	★	★	-	-
		Castlestone	★	★	★	★	★	-	-	-	-	-	-	-	-	-
	Ledgestone	★	-	-	-	-	-	-	-	-	-	-	-	-	-	
Reflective	Black enamel	★	★	★	★	★	-	-	-	-	-	-	-	-		
Safety Screen*		✓	✓	✓	✓	✓	✓	✓	✓	✓	✓	✓	✓	✓	✓	
Ember upgrade package		-	★	★	★	★	★	★	★	★	★	★	★	★	★	
Blower (with fan speed controller)		-	★	★	★	★	★	✓	★	★	★	★	★	-	-	
Blower (1-speed wall switch)		-	-	-	-	-	-	-	-	-	-	-	-	✓	✓	
Controls	Programmable Thermostat	-	★	★	★	★	★	★	★	★	★	★	★	★	★	
	Proflame GTMF Remote Control	-	✓	✓	✓	✓	✓	✓	✓	✓	✓	✓	✓	✓	✓	
	Proflame GTMFS Remote Control	✓	-	-	-	-	-	-	-	-	-	-	-	-	-	
Electronic ignition with Surefire™ switch		✓	✓	✓	✓	✓	✓	-	-	✓	✓	✓	-	-	-	
Venting	Direct vent	✓	✓	✓	✓	✓	✓	✓	✓	✓	✓	✓	✓	✓	✓	
	AstroCap® Venting System	★	★	★	★	★	★	★	★	★	★	★	★	★	★	
	Heat Wave™ Power Duct System / Heat Distribution Kit	★	-	-	-	-	-	★	★	★	★	★	★	-	-	
	Heat Release™ Kit	-	-	-	-	-	-	★	★	★	-	-	-	-	-	
	Heat Wave™ power duct kit kit	★	-	-	-	-	-	-	-	-	-	-	-	-	-	
Propane conversion kit		★	-	-	★	★	★	★	★	★	★	★	★	★	★	

- Not available

✓ Standard

★ Optional

* Safety screen is included with unit or faceplate

NOTE: All product specifications are subject to change without notice. Refer to relevant product manual for full and up to date information.

Remotes & Thermostats



Proflame GTMF Remote Control



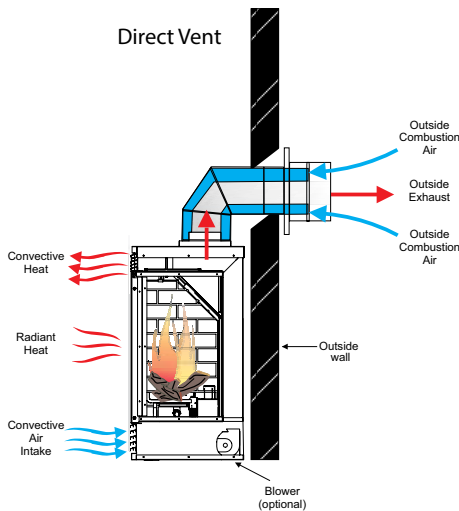
Programmable Thermostat

Feature	Description	Proflame GTMF	Programmable Thermostat
On/Off		✓	✓
Child lock		✓	-
LCD Backlit Screen		✓	✓
Clock		-	✓
Temperature display	°F / °C	✓	✓
Thermostat	one setting (very day)	✓	✓
	5-day day weekday & 2-day weekend	-	✓
Smart thermostat*		✓	-
Flame adjustment	(6 levels)	✓	-
Fan control**	(6 levels)	✓	-
Accent light (On/Off)***		✓	-

* Smart Thermostat - Rather than a thermostat that simply turns your fireplace on and off, the Smart Control function allows you to set your desired room temperature. As the room reaches your personal setting the flame intensity and heat will gradually decrease – keeping the ambience of your Regency fire on with less heat output with the option to turn off at any time.

** For models that have a blower.

*** For models that have an optional accent light.



No Chimney? No Problem!

Direct Vent Technology allows you to add a fireplace to rooms with no existing chimney. Simply vent your fireplace through an outside wall and finish it with the patented Regency AstroCap Flex Venting System. Maintain your indoor air quality by drawing fresh combustion air from outside through the venting system in to a sealed firebox. The exhaust is returned outdoors without affecting your indoor air. Direct Vent Technology is crucial in maintaining both high efficiency and indoor air quality.

Spread the warmth

Zone Heating with Regency

By adding a fireplace to your most frequently used living space you're not wasting energy by heating rooms you don't use.

Heat Adjacent Rooms with the Heat Wave™ Power Duct System

Cut down on your heating costs using a Heat Wave kit. The Heat Wave system attaches onto most Regency gas fireplaces allowing you to direct heat into rooms up to 20 feet away. This kit comes complete with vent, variable speed blower (for HeatWave system only) and vent register.



HeatWave Power Duct System

Maximizing Comfort and Efficiency

Regency Fireplaces deliver controllable heating solutions by combining the latest in radiant/convection heat technology and innovative features.

✓ Adjustable flame/heat control

✓ Heat radiating ceramic glass

✓ **SureFire Electronic**

Ignition switch with battery backup features a fuel saving intermittent pilot ignition conserving energy when not in use.

✓ **Power's Out, Heat's On.** All

Regency gas fireplaces operate without electricity. Enjoy peace of mind all winter long.

✓ Variable speed blower to maximize efficiency. Our quiet blowers increase the efficiency of your fireplace by pushing the heat produced by your fireplace forward and distributing it further and evenly into the room.

✓ Proflame GTMF Remote Control. A standard feature included with all Traditional Gas Fireplaces, this user friendly programmable remote can be set to start your Regency fire at your desired room temperature and be easily adjusted with the touch of a button.



Panorama P33CE shown with Verona glass surround in chocolate brown, rustic brown brick panels and integrated safety screen.



Panorama P36 shown with Vignette faceplate, Vignette door inlay in Tuscan Sunset, Vignette finishing trim (stepped install), rustic brown brick panels and integrated safety screen.

Design Inspiration

For more design ideas
visit the Idea Gallery
on our web site

www.regency-fire.com



Bellavista B36XTCE shown with Castlestone brick panels and integrated safety screen.

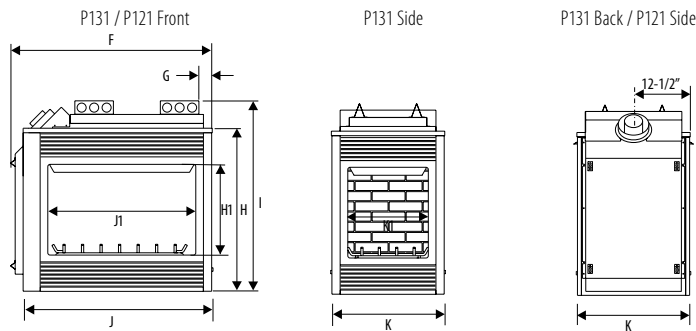


Bellavista B36XTE shown with Vignette faceplate in black, Vignette door inlay in black, Vignette finishing trim (flush install), rustic brown brick panels and integrated safety screen.

Specifications

Specifications		Input (BTU)		Turn Down to (BTU)		EnerGuide Rating (Canada only)		Efficiency (steady state)	
		NG	LP	NG	LP	NG	LP	NG	LP
Liberty	L965E	48,000	48,000	16,000	17,000	63.11%	63.46%	79%	79%
Bellavista	B41XTCE	42,500	37,500	30,000	29,500	68.59%	68.97%	73%	73%
	B41XTE	42,500	37,500	30,000	29,500	68.59%	68.97%	73%	73%
	B36XTE	31,000	31,000	21,500	25,000	66.47%	65.59%	71%	71%
	B36XTCE	31,000	31,000	21,500	25,000	66.50%	66.59%	71%	71%
Panorama	P131	40,000	39,000	20,500	20,600	60.66%	62.51%	75%	75%
	P121	40,000	39,000	20,500	20,600	60.66%	62.51%	75%	75%
	P36D	30,000	30,000	15,500	15,000	64.62%	64.62%	82%	82%
	P36	30,000	30,000	15,500	15,000	62.70%	62.70%	82%	82%
	P36E	29,500	28,500	19,500	22,000	67.45%	68.40%	82%	82%
	P33	20,000	18,000	14,000	14,500	65.50%	68.24%	76%	77%
	P33E	20,000	19,500	14,000	15,500	67.41%	70.61%	76%	77%
	P33CE	20,000	19,500	14,000	15,500	67.41%	70.61%	76%	77%
Excalibur	P90	35,000	35,000	18,200	17,950	67.75%	67.75%	75%	75%

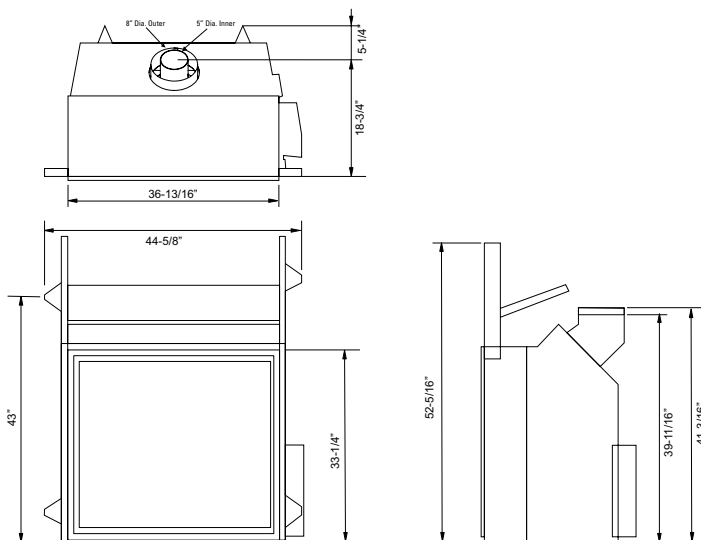
Panorama P131/121



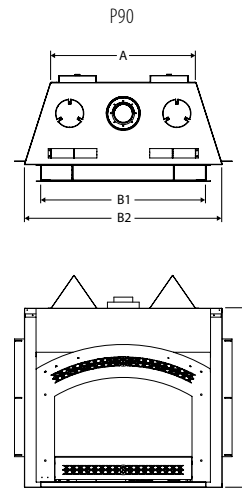
Dimensions	F	G	H	H1	I	J	J1	K	K1
P131	44-1/2"	3"	36"	20"	42"	41-1/2"	32-5/8"	25"	17-3/4"
P121	46-1/4"	4-3/4"	36"	20"	42"	43-1/2"	32-5/8"	25"	--

Note: For P121 there is a 2-3/4" vent heat shield on the vent end of the fireplace. Please allow appropriate space for center positioning.

Liberty L965E



Excalibur P90



Dimensions	P90
A	31"
B1	35-1/8"
B2	42"
C	38"
D*	22-1/2"
E	45"
F	18-3/4"

* Without faceplate

Panorama direct vent fireplaces

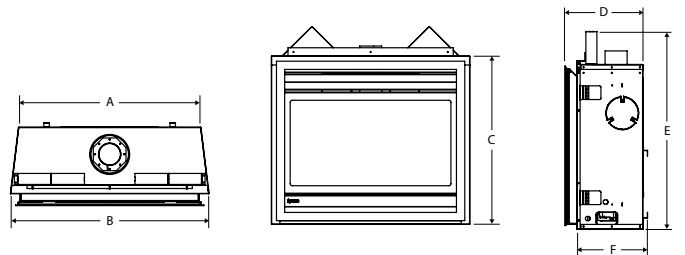
Dimensions

Dimensions	P36D	P36E	P36	P33E/P33	P33CE
A	33-1/16"	33-1/8"	33-1/8"	23"	23"
B	36-1/16"	36-1/16"	36-1/16"	33"	34-9/16"
C	30-1/2"	30-1/2"	30-1/2"	29"	29-1/2"
D*	20-1/16"	15"	15"	14-3/4"	n/a
E	36"	36"	36"	31-1/2"	31-3/4"
F	17-7/8"	12-3/16"	12-3/16"	12-3/4"	16"
G	n/a	n/a	n/a	n/a	29-7/16"
H	n/a	n/a	n/a	n/a	21-3/8"

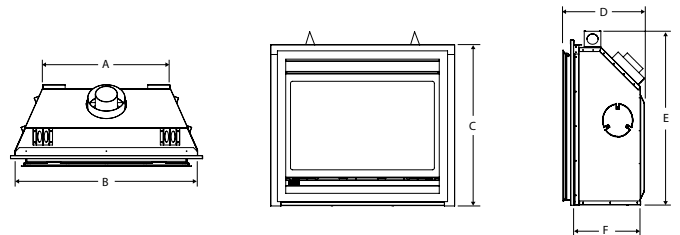
* Includes Vignette faceplate

See manual for Vignette finishing trim dimensions

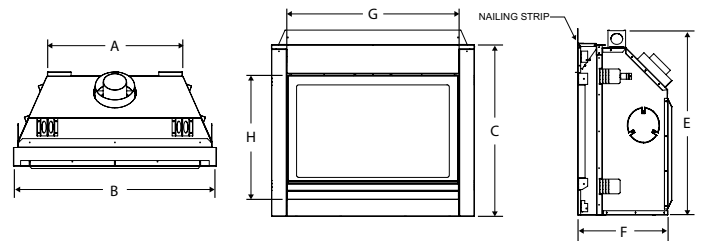
P36D/
P36E/
P36



P33/
P33E



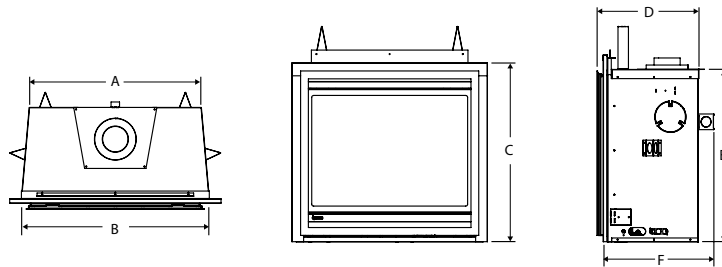
P33CE



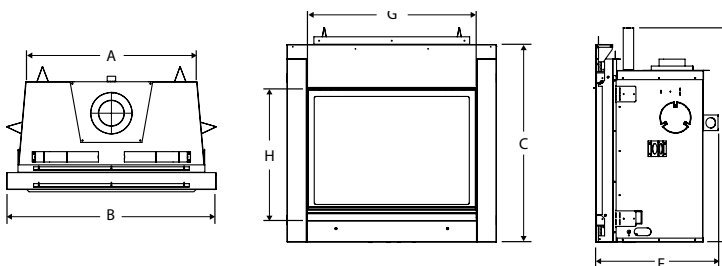
Bellavista direct vent fireplaces

Dimensions

B41XTE/
B36XTE



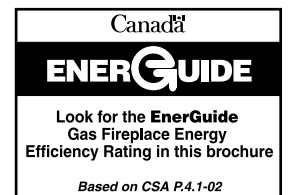
B41XTCE/
B36XTCE



Dimensions	B41XTE	B41XTCE	B36XTE	B36XTCE
A	38-3/8"	38-3/8"	33-1/16"	33-1/16"
B	41-11/16"	46-11/16"	36"	40-5/8"
C	36-11/16"	44-1/4"	35-1/4"	38-1/16"
D*	24-3/16"	n/a	22-1/2"	n/a
E	36-3/8"	49-1/4"	33-1/8"	41-5/16"
F	22-3/8"	26-3/16"	20-7/16"	23-5/8"
G	n/a	38-7/16"	n/a	32-7/8"
H	n/a	29-1/8"	n/a	25-5/8"

* Includes Vignette Faceplate

Scan for access to
Regency Gas Manuals



For installation, framing and clearances see manuals on website
www.regency-fire.com

All products tested to the following standards: GRAVITY DIRECT VENT WALL FURNACE TESTED AND APPROVED FOR U.S.A AND CANADA TO: CAN/CGA-2.17-M91, (ANSI Z21.88b-1999/CSA 2.33b-M99).

NOTE: All product specifications are subject to change without notice. Before installing refer to the relevant product manual for full and up to date information.

Fireplace planning made simple

Your Regency® matches your home and lifestyle perfectly. How do we know that? Because you designed it yourself!

www.regency-fire.com

1



CLICK!

Take a photo of your desired room location.

2



DESIGN

Go to www.regency-fire.com and design your perfect fireplace with the Fireplace Design Center.

3



VISUALIZE

Upload your room photo and see how the fireplace will look in your own home.

4



VISIT A REGENCY DEALER

Show your plan to one of our sales associates for expert advice. Your authorized Regency dealer will advise you on all the technical aspects and install your Regency.

5



NO CHIMNEY? NO PROBLEM!

Direct vent technology means you no longer need an expensive, elaborate chimney. Simply vent your fireplace through an outside wall and finish it with an AstroCap™.

6



ENJOY!



www.regency-fire.com

your Regency dealer