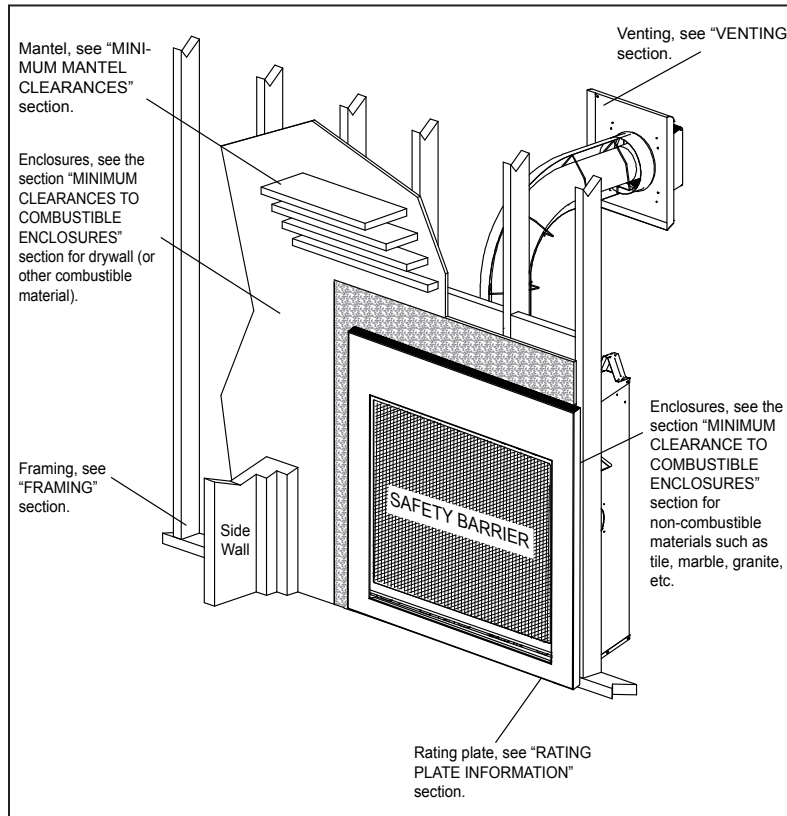


STARFIRE™ 40 DIRECT VENT GAS FIREPLACE

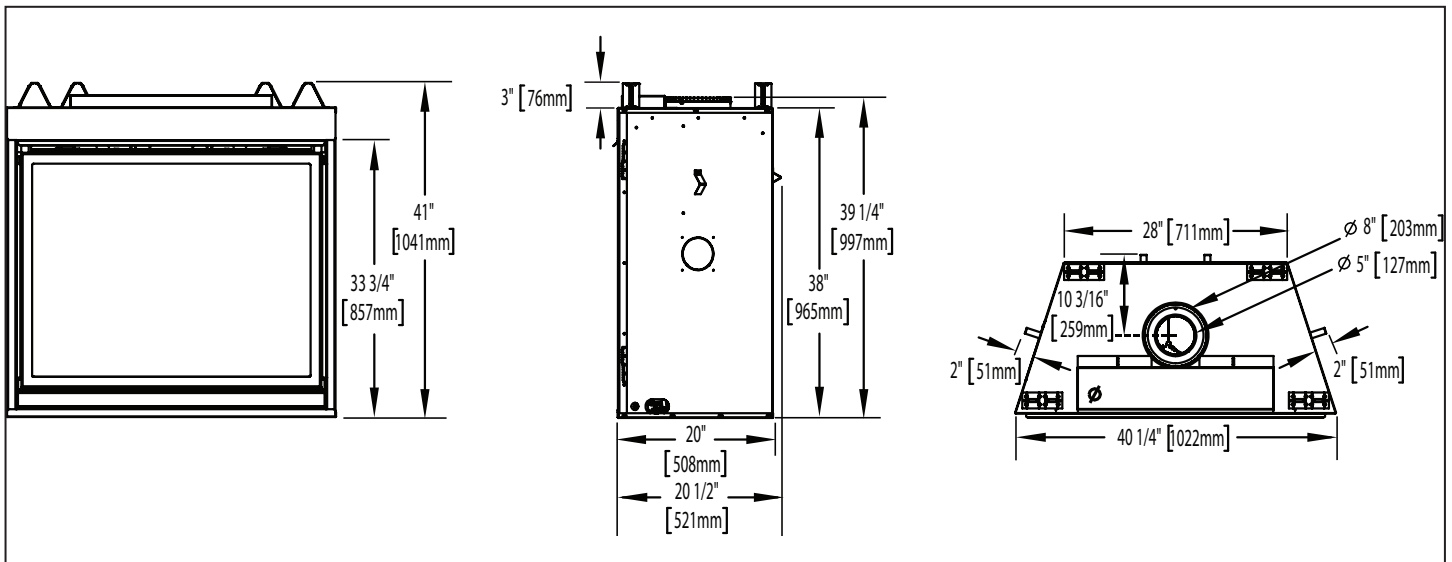
Specifications

Model	BTU	Width		Height		Depth		Glass
		Actual	Framing	Actual	Framing	Actual	Framing	
HDX40	40,000	40 1/4	40 3/4	41	41 1/4	20 1/2	20 1/4	28 1/16 X 36 1/32

Overview



Dimensions



STARFIRE™ 40 DIRECT VENT GAS FIREPLACE

Framing & Clearances

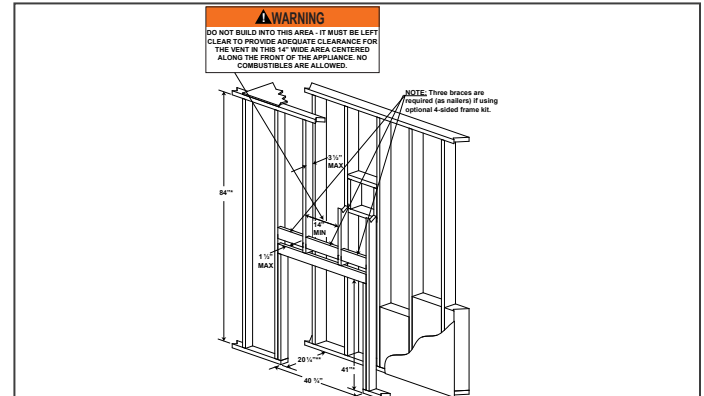
Minimum Fireplace Clearances

COMBUSTIBLE FRAMING:	
Sides, back, bottom of the appliance	0" to stand-offs
COMBUSTIBLE FINISHING:	
Sides	2" (51mm) to front edge of the appliance
Enclosure Top	84" (2134mm) from the bottom of the appliance
Recessed Depth	20 1/4" (1276mm)
Sides of the vent pipe	2" (51mm)*
Bottom of the vent pipe	1" (25mm)
Top of vent pipe	2" (51mm)*
Ceiling	70" (1778mm) from the bottom of the appliance

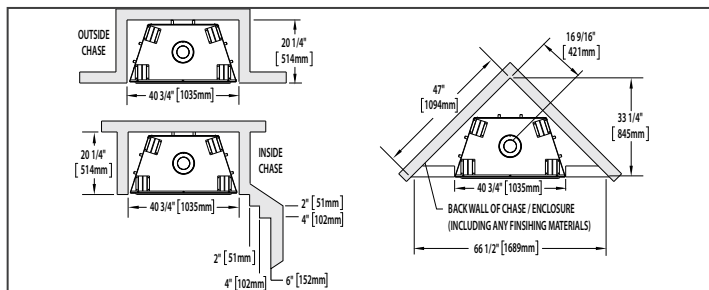
* **HORIZONTAL VENT SECTIONS:** A minimum clearance of 1" (25mm) at the bottom and 2" (51mm) at the top and sides of the vent pipe in all horizontal runs to combustibles is required except for clearances in appliance enclosures. Horizontal vent sections within enclosures require a minimum clearance of 18" (457mm) at the top of the vent pipe. See "MINIMUM CLEARANCE TO COMBUSTIBLE ENCLOSURES" section. Use firestop spacer W010-1800 (supplied) where vent pipe penetrates combustible walls.

* **VERTICAL VENT SECTIONS:** A minimum clearance of 1" (25mm) all around the vent pipe on all vertical runs to combustibles is required except for clearances in appliance enclosures. Vertical vent sections within enclosures require a minimum clearance of 4" (102mm) to the sides of the vent pipe. See "MINIMUM CLEARANCE TO COMBUSTIBLE ENCLOSURES" section. Use firestop spacer W500-0367 (not supplied) where vent pipe penetrates combustible ceilings or floors.

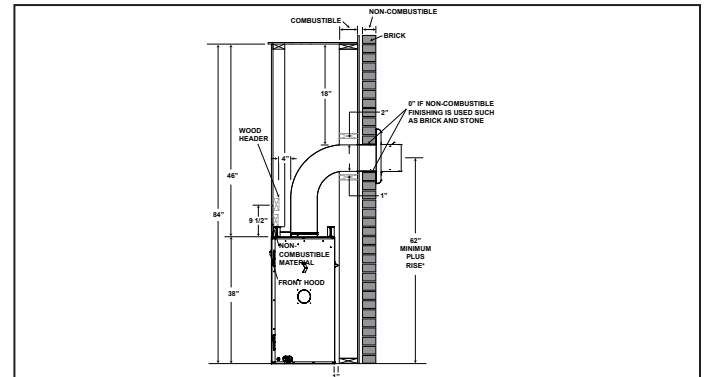
Framing Dimensions



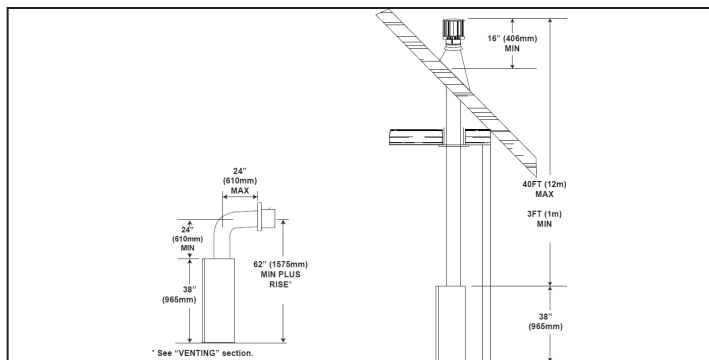
Appliance Location



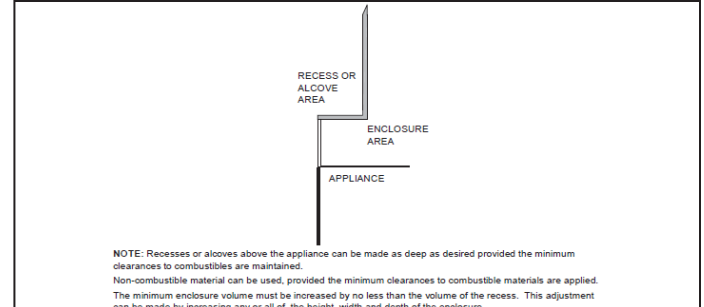
Wall Penetration



Minimum Vertical Vent Rise



Alcove Installation

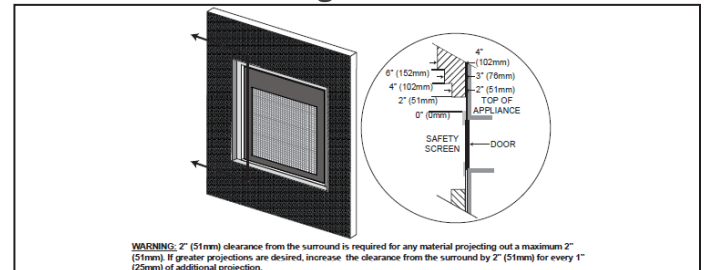


Combustible Mantel Clearances

MANTEL DIMENSIONS		
Ref	Height	Depth
A	36" (965mm)	
B	13" (330mm)	2" (51mm)
C	15" (381mm)	4" (102mm)
D	17" (432mm)	6" (152mm)
E	19" (483mm)	8" (203mm)

MANTEL DEPTH

Non-Combustible Facing Material



Product information provided is not complete and is subject to change without notice. Please consult the installation manual for the most up to date installation information.